

Operating manual

Battery-powered rescue device

E-FORCE 2



SPS 270 E-FORCE 2, SPS 360 L E-FORCE 2, SPS 370 E-FORCE 2
RSX 160-50 E-FORCE 2, RSX 180-80 PLUS E-FORCE 2, RSU 200-107 PLUS E-FORCE 2
SP 35 AS E-FORCE 2, SP 53 BS E-FORCE 2
RZ 1-910 E-FORCE 2, RZT 2-1360 E-FORCE 2

1060298



tested in accordance with
EN 13204
NFPA 1936

WEBERRESCUE
SYSTEMS

www.weber-rescue.com

Table of Contents

1	General information	4
1.1	About the operating manual	4
1.2	Explanation of symbols	5
1.3	Limitations of liability	6
1.4	Copyright	6
1.5	Warranty conditions	7
1.6	Customer service	7
2	Safety	8
2.1	Intended use	8
2.2	Responsibility of the customer	10
2.3	Operating personnel	11
2.4	Personal protective equipment	12
2.5	Specific hazards	13
2.6	How to respond in the event of danger or accidents	15
2.7	Signage	16
3	Technical data	17
3.1	Combi tools	17
3.2	Cutters	18
3.3	Spreader	19
3.4	Rescue ram	20
3.5	Operating conditions	20
3.6	Type plate	20
4	Design and function	21
4.1	Overview of E-FORCE 2 devices	21
4.2	Hydraulic supply	25
4.3	Electrical supply, using a combi device as an example	26
4.4	Operating E-FORCE 2 devices	27
4.5	Accessories	28
4.6	Replacing blade inserts (PLUS)	31
4.7	Changing the spreader tips (SP 35 AS, SP 53 BS, SPS 370)	33

5	Possible applications	34
5.1	Safety information	34
5.2	Cutting (cutters, combi devices)	34
5.3	Lifting / pressing (rescue cylinder)	35
5.4	Spreading (spreaders, combi devices)	36
5.5	Pulling (spreaders, combi devices)	37
5.6	Crushing (spreaders, combi devices)	38
5.7	Lifting (spreaders, combi devices)	39
5.8	Peeling (spreaders, combi devices)	39
6	Battery and charger	40
6.1	Charger technical data	40
6.2	Special safety instructions	40
6.3	Intended use	42
6.4	Power line connection	42
6.5	Li-ion battery	42
6.6	Charging process	43
6.7	Maintenance	44
6.8	Charging cycles	44
7	Transport, packaging and storage	45
7.1	Safety information	45
7.2	Transport inspection	45
7.3	Symbols on the packaging	46
7.4	Disposal of packaging	46
7.5	Storage	46
8	Installation and commissioning	47
8.1	Safety information	47
8.2	Checking	47
8.3	Shut-down (end of work)	48
9	Service	49
9.1	Safety information	49
9.2	Care and maintenance	49
9.3	Maintenance schedule	50
10	Malfunctions	51
11	Decommissioning/Recycling	53
12	EC Declaration of Conformity	54

1 General information

1.1 About the operating manual

This operating manual provides important information on using E-FORCE 2 devices. Proper compliance with all specified safety instructions and guidelines is a prerequisite for safe work.

Furthermore, adhere to the local accident prevention guidelines and general safety regulations for the region in which the devices are used.

These operating instructions must be carefully read prior to starting any work! They are an inherent part of the product and must be kept in a place that is known and accessible to personnel at all times.

This documentation contains information for operating your equipment. However, you may also find information which may not directly apply to your specific equipment.

All information, technical data, graphics and diagrams contained in these operating instructions are based on the latest data available at the time of the document's creation.

We recommend that, in addition to carefully reading through the operating manual, you be trained on handling the rescue equipment (possible applications, application tactics, etc.) by our qualified trainers.

1.2 Explanation of symbols

Warnings

Warnings are marked by symbols in this operating manual.

The individual instructions are introduced by signal words that express the severity of the hazard.

It is essential to comply with the instructions in order to prevent accidents, injuries and damage to property.



DANGER!

... indicates an imminently dangerous situation that can result in death or serious injury if not avoided.



WARNING!

... indicates a potentially dangerous situation that can result in death or serious injury if not avoided.



CAUTION!

... indicates a potentially dangerous situation that can result in minor or light injuries if not avoided.



ATTENTION!

... indicates a potentially dangerous situation that can result in material damage if not avoided.

Tips and recommendations



NOTE!

... highlights useful tips and recommendations, as well as information for efficient, trouble-free operation.

1.3 Limitations of liability

All information and instructions in this operating manual have been compiled in keeping with applicable standards and guidelines, the current state of technology, and our many years of knowledge and experience.

The manufacturer assumes no liability for damage due to:

- Failure to comply with the operating manual
- Unintended use
- Assignment of untrained personnel
- Unauthorised modifications
- Technical changes
- Use of non-approved replacement parts
- Use of non-original replacement parts

The actual scope of delivery can vary from the explanations and graphic representations provided in this manual in the case of special versions, or due to technical changes.

1.4 Copyright

All texts, diagrams, drawings and images in this operating manual may be used without restriction and without any prior approval.



NOTE!

Further information, images and drawings can be found on our website www.weber-rescue.com

1.5 Warranty conditions

The warranty conditions can be found as a separate document in the sales documentation.

1.6 Customer service

Our customer service is available to you for technical information.

Germany

Name: Ms Corina Schulz
Telephone: + 49 (0) 7135 / 71-10235
Fax: + 49 (0) 7135 / 71-10396
E-mail: corina.schulz@weber-rescue.com

Austria

Name: Mr Robert Hack
Telephone: + 43 (0) 7255 / 6237-12473
Fax: + 43 (0) 7255 / 6237-12461
E-mail: robert.hack@weber-rescue.com



NOTE!

When contacting our customer service department please state your equipment's designation, type and production year. These details can be found on the equipment type plate.

2 Safety

This section of the operating manual provides a comprehensive overview of all important safety aspects for optimal protecting operating personnel and for safe, trouble-free operation.

Significant hazards may occur if the handling and safety instructions in this manual are not complied with.

2.1 Intended use

The hydraulic battery-powered devices are designed and tested exclusively for the intended applications described here. All other activities are strictly forbidden.

All battery-powered devices are designed as one-man devices and are therefore to be operated by only one person.

Cutters (RSX 160-50 E-FORCE 2, RSX 180-80 PLUS E-FORCE 2, RSU 200-107 PLUS E-FORCE 2)

- The battery-powered cutting devices are used exclusively for cutting doors and roof beams, pillars and door sills, the ring and the spokes of the steering wheel.
- If possible, for cutting solid material, always position the material at the base of the cutter blades closest to the pivot point, as it is equipped with special edges for cutting round material.
- In industrial application, the devices can also be used to cut pipes, structural steels, profiles, sheets and cables.

Spreader (SP 35 AS E-FORCE 2, SP 53 BS E-FORCE 2)

- The battery-powered spreading devices can be used for opening doors, lifting vehicles or other moveable loads, pushing away and moving vehicle parts and loads, and crushing pipes and tie bars.
- If possible, always use the tips of the spreader for crushing.
- The tips of the spreader can also be used as a peeling tool.
- The chain set is solely to be used for pulling.

Combi devices (SPS 270 E-FORCE 2, SPS 360 L E-FORCE 2, SPS 370 E-FORCE 2)

- The combi devices can be used for both the applications indicated for the cutters and those for the spreader. The tips of the spreader can also be used as a peeling tool.

Rescue cylinder (RZ 1-910 E-FORCE 2, RZT 2-1360 E-FORCE 2)

- These devices are exclusively for pushing up steering columns, vehicle roofs and other obstacles and for pushing away vehicle body parts.
- They can also be used for supporting and bracing loads.

**WARNING!**
Improper use can be dangerous!

Any improper or unintended use of the devices can be hazardous!

Therefore, make absolutely sure that:

- » The devices are used only for the applications stated above.
- » All other information on proper use of the devices in Chapter 5 (Possible applications) is observed.

2.2 Responsibility of the customer

In addition to the health and safety instructions in this operating manual, one must adhere to the safety, accident prevention, and environmental protection guidelines for the region in which the equipment is used. Particularly applicable in this regard:

- The customer must be familiar with the applicable health and safety provisions and in a hazard analysis identify other hazards that may exist at the equipment's installation site due to the special working conditions.
- The customer must clearly regulate and specify responsibilities for installation, operation, maintenance and cleaning.
- The customer must ensure that all personnel who handle the equipment have fully read and understood the operating manual.
- In addition, at regular intervals, the operator must train personnel and inform them of the hazards of working with the equipment.

Moreover, the customer is responsible for ensuring that the equipment is always in technically faultless condition. Consequently, the following applies:

- After each use, and at least once a year, a visual inspection of the equipment must be carried out by a trained individual (according to GUV-G 9102 or country-specific guidelines).
- Every three years, or if you have doubts about the safety or reliability of the equipment, functional testing and stress testing must be carried out (according to GUV-G 9102 or country-specific guidelines).

2.3 Operating personnel

The following qualifications are cited in the operating instructions for the various activity areas:

- **Trained individual**
is informed through training offered by the customer about the tasks assigned to him and the possible dangers of improper conduct.
- **Specialist**
is someone who, due to specialised training, skills and experience, as well as knowledge of the applicable stipulations by the manufacturer, is capable of executing the tasks assigned to him or her and of independently recognising possible hazards.



WARNING!

Inadequate training can result in injuries!

Improper handling of the equipment can lead to serious injury or material damage.

Therefore, make absolutely sure to:

- » allow particular tasks to be carried out only by the persons stated in the relevant chapter of this manual.
- » When in doubt, call in specialists immediately.



NOTE!

The equipment may not be used by personnel who have consumed alcohol, medication or drugs!

2.4 Personal protective equipment

Wearing personal protective equipment (PPE) is essential to minimise the risks to operating personnel when working with the hydraulic rescue devices.

It is essential to wear the following protective clothing for all work:



Protective work clothing

Tight-fitting work clothing with tight sleeves and no protruding parts must be worn when working. It mostly serves to protect against entanglement by moving equipment parts.



Safety shoes

Steel-toed safety shoes must always be worn as protection against heavy falling parts and from slipping on slick surfaces.



Work gloves

Work gloves must be worn when working with the equipment to provide protection from sharp edges and shards of glass.



Helmet with face shield

A helmet with face shield must be worn for protection against flying or falling parts and shards of glass.



Protective goggles

Protective goggles must also be worn in addition to the face shield in order to protect the eyes from flying objects.

The following must also be worn for certain work:



Ear protectors

In addition to the basic protective equipment, ear protectors must also be worn to protect your hearing.

2.5 Specific hazards

The hazards arising from the risk analysis are listed in the following section.

Follow the safety instructions listed here and the warnings in the other sections of this manual to minimise potential health hazards and avoid dangerous situations.

Electricity



DANGER!

Danger of fatal electric shock!

There is an imminent life-threatening danger if live parts are touched. Damage to insulation or to specific components can pose a fatal hazard.

Therefore:

- » If the insulation is damaged, immediately disconnect the power supply and arrange for repairs.
- » Allow only qualified electricians to work on the electrical equipment.
- » For all work on the electrical equipment, it must be disconnected from the power source, and it must be checked that the device is de-energised.
- » Prior to maintenance, cleaning and repair work, the power supply must be switched off and secured to prevent it from being switched back on again.
- » Do not bypass or disable fuses.
When changing the fuses, ensure that they have the correct amperage.
- » Keep moisture away from live parts.
This can lead to a short-circuit.

Noise



WARNING!
Noise can damage hearing!

The noise occurring in the work area can cause severe hearing damage.

Therefore:

- » You should also wear ear protectors when carrying out certain noise-producing tasks.
- » Do not stay in the hazardous area longer than necessary.

Hydraulic power



WARNING!
Hydraulic power hazard!

Serious injury can result due to the released hydraulic forces and escaping hydraulic oil.

Therefore:

- » Constantly monitor the device during the work procedure and set down if necessary.
- » Inspect the hose lines and devices for damage after every use.
- » Avoid skin contact with the hydraulic oil (wear protective gloves).
- » Immediately remove the hydraulic oil from wounds and consult a doctor.

2.6 How to respond in the event of danger or accidents

Preventive measures

- Always be prepared for accidents
- Keep first aid equipment (first aid kit, blankets, etc.) at hand
- Familiarise personnel with accident alarms, first aid gear, and emergency equipment
- Keep entryways clear for emergency vehicles

In the event of an accident

- Shut down equipment immediately
- Initiate first aid measures
- Get people out of the danger zone
- Inform the responsible parties at the site of the incident
- Notify a doctor and/or the fire brigade
- Clear entryways for emergency vehicles

2.7 Signage

The equipment bears the following symbols and instructional signs. They refer to the immediate vicinity in which they are affixed.



Comply with the operating manual

Do not use the marked equipment until you have read the operating manual.



Hand injury warning

When working with the equipment, take care to avoid hand injuries through trapping or sharp edges.



WARNING!

Danger of injury due to illegible symbols!

Over time, stickers and symbols on the equipment can become soiled or otherwise illegible.

Therefore, make absolutely sure to:

- » Keep all safety, warning and operating information on the device easily legible.
- » Replace damaged signs and stickers immediately.

3 Technical data

3.1 Combi tools



SPS 270 E-FORCE 2



SPS 360 L E-FORCE 2



SPS 370 E-FORCE 2

	SPS 270 E-FORCE 2	SPS 360 L E-FORCE 2	SPS 370 E-FORCE 2
Length	798 mm	914 mm	920 mm
Width	192 mm	236 mm	236 mm
Height	241 mm	241 mm	241 mm
Weight	14,2 kg	18,6 kg	19,7 kg
Opening width	270 mm	360 mm	370 mm
Pulling path	385 mm	440 mm	390 mm
Max. cutting capacity with round material*	∅ 25 mm	∅ 30 mm	∅ 30 mm
Max. cutting force *	324 kN	491 kN	491 kN
Spreading force in working range*	34 – 591 kN	45 – 783 kN	45 – 783 kN
Pulling force in working range*	31 – 39 kN	45 – 54 kN	54 – 62 kN
Nominal pressure	700 bar	700 bar	700 bar
EN class**	BK 30/265-F-14	CK 37/360-H-19	CK 37/370-H-20
NFPA class	A6/B5/C6/D6/E7	A6/B8/C6/D8/E7	A6/B8/C6/D8/E7
ID No.	1075250	1074458	1077676

* per EN 13204 ** according to EN 13204

3.2 Cutters



**RSX 160-50
E-FORCE 2**



**RSX 180-80 PLUS
E-FORCE 2**



**RSU 200-107 PLUS
E-FORCE 2**

	RSX 160-50 E-FORCE 2	RSX 180-80 PLUS E-FORCE 2	RSU 200-107 PLUS E-FORCE 2
Length	864 mm	889 mm	982 mm
Width	236 mm	236 mm	260 mm
Height	241 mm	241 mm	241 mm
Weight	18,2 kg	21,4 kg	23,5 kg
Opening width	160 mm	180 mm	200 mm
Max. cutting capacity with round material*	∅ 32 mm	∅ 35 mm	∅ 43 mm
Max. cutting force*	493 kN	903 kN	1050 kN
Nominal pressure	700 bar	700 bar	700 bar
EN class**	BC 160-H-18	BC 180-H-21	CC200-H-24
NFPA class	A6/B7/C6/D7/E8	A7/B9/C7/D9/E9	A8/B9/C8/D9/E9
ID No.	1077690	1075255	1075262

* per EN 13204 ** according to EN 13204

3.3 Spreader



**SP 35 AS
E-FORCE 2**



**SP 53 BS
E-FORCE 2**

	SP 35 AS E-FORCE 2	SP 53 BS E-FORCE 2
Length	924 mm	993 mm
Width	243 mm	298 mm
Height	241 mm	241 mm
Weight	18,3 kg	24,0 kg
Spreading distance	600 mm	800 mm
Pulling path	515 mm	697 mm
Spreading force in working range*	38 - 171 kN	56 - 421 kN
Spreading force in working range*	32 - 49 kN	42 - 72 kN
Max. crushing force*	76 kN	100 kN
Nominal pressure	700 bar	700 bar
EN class**	AS 35/600-18	BS 53/800-24
ID No.	1075263	1077791

* per EN 13204 ** according to EN 13204

3.4 Rescue ram



**RZ 1-910
E-FORCE 2**



**RZT 2-1360
E-FORCE 2**

	RZ 1-910 E-FORCE 2	RZT 2-1360 E-FORCE 2
Length	542 mm	560 mm
Width	134 mm	134 mm
Height	325 mm	347 mm
Weight	15,7 kg	19,3 kg
Pressing force*	111 kN	108 kN / 62 kN
Starting length	542 mm	560 mm
End length	910 mm	1360 mm
Nominal pressure	700 bar	550 bar
EN class**	R 111/368-16	TR 108/429-63/372-19
ID No.	1075272	1078342

* per EN 13204 ** according to EN 13204

3.5 Operating conditions

The permissible temperature range of the E-FORCE 2 devices is between -20°C and +60°C. Reliable operation cannot be guaranteed outside of this range.

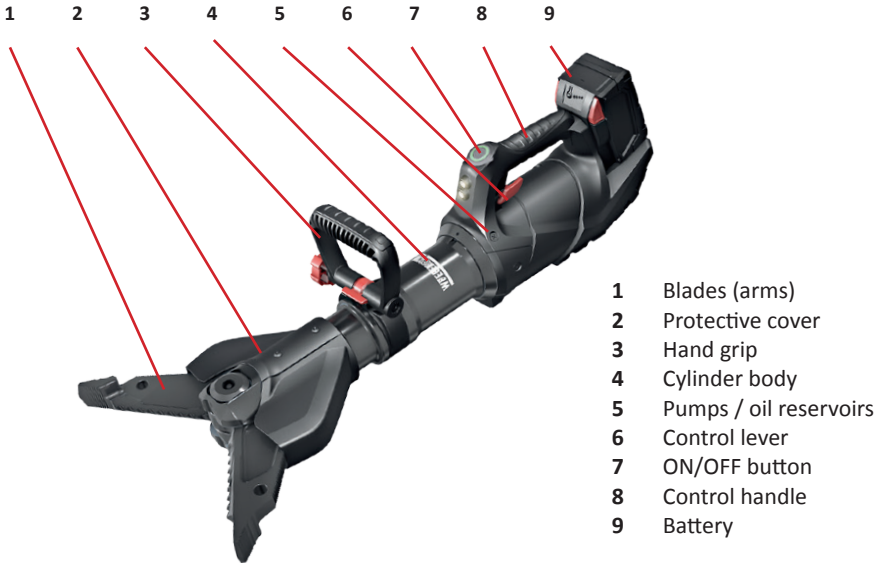
3.6 Type plate

On all E-FORCE 2 devices, the type plate is located on the bottom of the drive unit. It shows the serial number, production date, nominal pressure and device designation.

4 Design and function

4.1 Overview of E-FORCE 2 devices

Combi devices



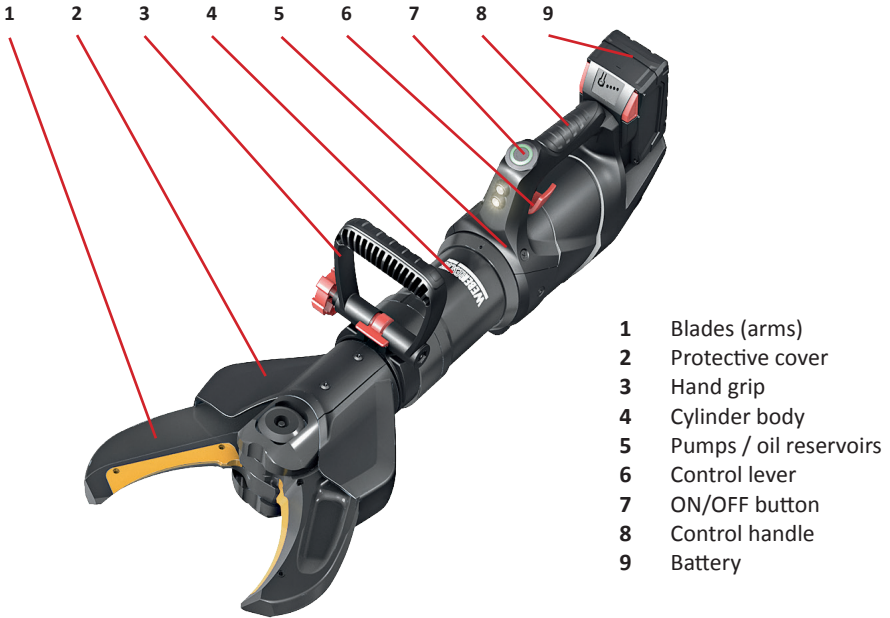
Brief description of combi devices

Battery-powered combi devices are specially designed rescue equipment for cutting and spreading vehicle body parts. They are used to rescue trapped or enclosed accident victims. The combi device's uses include cutting door and roof beams, columns and sills, as well as opening doors, lifting vehicle parts and loads, and crushing pipes and beams.

Because the devices are equipped with internal electrohydraulic drive, they are not linked to a power unit and can therefore be used in hard-to-reach locations.

The movement speed of the cutter blades (arms) is affected by moving the control lever on the control handle with greater or lesser force. The maximum force is achieved only when the lever is on full activation.

Cutters



Brief description of cutter

Battery-powered cutters are specially designed rescue equipment for cutting vehicle body parts. They are used to rescue trapped or enclosed accident victims. The cutter's uses include cutting door and roof beams, columns and sills.

Because the devices are equipped with internal electrohydraulic drive, they are not linked to a power unit and can therefore be used in hard-to-reach locations.

The movement speed of the cutter blades is affected by moving the control lever on the control handle with greater or lesser force. The maximum cutting force is achieved only when the lever is on full activation.

Rescue cylinder

1 2 3 4 5 6 7



- 1 Battery
- 2 Pumps / oil reservoirs
- 3 Guide piece
- 4 Control handle
- 5 Control lever
- 6 ON/OFF button
- 7 Pushing head

Brief description of rescue cylinder

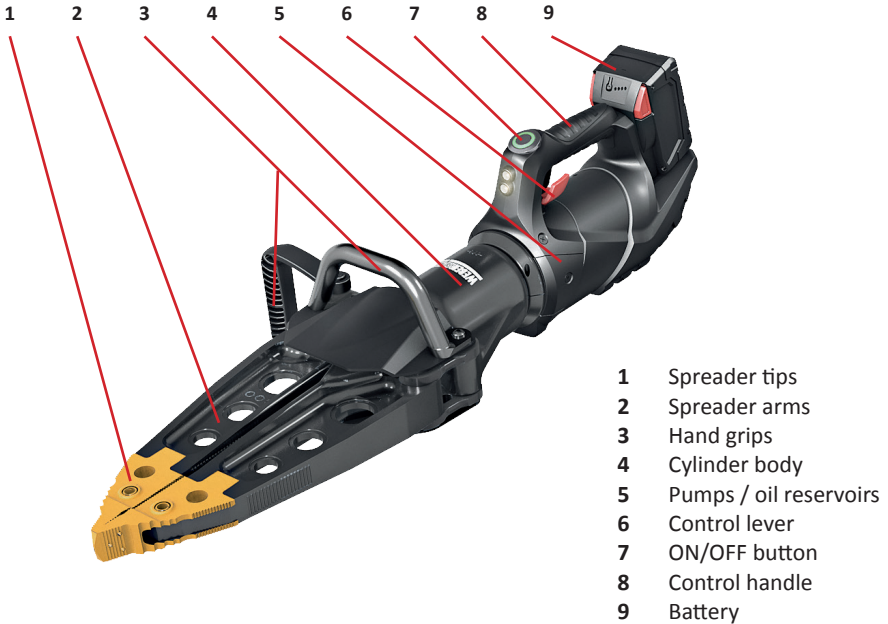
Battery-powered rescue cylinders are specially designed rescue devices for pushing away parts of a vehicle body. They are used to rescue trapped or enclosed accident victims. The rescue cylinder is suitable for tasks such as pushing up steering columns, vehicle roofs and other obstacles.

Because the devices are equipped with internal electrohydraulic drive, they are not linked to a power unit and can therefore be used in hard-to-reach locations.

The rescue cylinders are a supplement to the spreader and can be used, for example, if the spreading arm's spreading distance is no longer adequate.

The movement speed of the piston is affected by moving the control lever on the control handle with greater or lesser force. The maximum compressive force is achieved only when the lever is on full activation.

Spreader



Brief description of spreader

Battery-powered spreaders are specially designed rescue devices for spreading, pressing and pulling. They are used to rescue trapped or enclosed accident victims. The spreaders are mainly suitable for opening doors, and for lifting vehicles and other movable loads.

Because the devices are equipped with internal electrohydraulic drive, they are not linked to a power unit and can therefore be used in hard-to-reach locations.

The movement speed of the spreading arms is affected by moving the control lever on the control handle with greater or lesser force. The maximum spreading force is achieved only when the lever is on full activation.

4.2 Hydraulic supply

Drive

The battery tools are powered by a 28 V DC motor. When the tool is switched on, the motor idles. Only when the control lever is operated the motor start to run at a higher speed.

Pump

The hydraulic pressure is generated by a high-pressure hydraulic pump (in the pumping unit). The pump is an swash plate axial piston pump with four pistons. The pressure operates directly on the working cylinder, making connection lines unnecessary.

Oil tank

The volume of oil for operation is taken from an accumulator. This means the entire hydraulic system is completely closed and void of air. Any possible volume expansion due to heat is balanced by the accumulator.

Hydraulic oil

All battery-powered devices should use a special hydraulic oil for rescue equipment in accordance with WN 4841751. Normally the oil does not have to be changed, but, if this becomes necessary, it can be changed only by service engineers at WEBER RESCUE Systems.



CAUTION!

Do not attempt to carry out repairs on the hydraulic system!

The complete hydraulic system is designed as a closed circuit and must therefore be completely free of air. For this reason, do not attempt to carry out repairs on the drive, to ensure that no air can enter the system!

4.3 Electrical supply, using a combi device as an example

Inserting the battery

Connect battery (1) to the rescue equipment (2). Slide the battery along the rails (3) provided for this purpose, until the battery clicks in. The tool acknowledges that the battery has been inserted in the right direction with a short tone. To release, press the push buttons on both sides of the battery (4). Then pull the battery up and out.



4.4 Operating E-FORCE 2 devices

To start the battery tool, press the on/off switch. The switch is illuminated white, the LEDs start to light up, and the motor idles. In this state, if the tool is not operated using the control lever on the control handle, it switches off automatically after 30 seconds and must then be restarted.

The movement speed can be precisely controlled by pressing with greater or lesser force on the control lever. The maximum cutting, spreading or compressive force is reached only if the lever is pushed completely through.

Closing the cutter / Opening the spreaders / Extending the rescue ram

The tools' main direction of movement is triggered by pressing the rocker switch to the left with your index finger (grooved side of the rocker switch).

Opening the cutter / Closing the spreaders / Retracting the rescue ram

The opposite direction is triggered by pressing the control rocker to the right with your thumb (curved side of the rocker switch).

Dead man's switch

When the rocker switch is released, it returns to the zero position automatically. This always brings the tool to a stop in any situation, including under load. After 30 seconds, the tool switches off.



E-FORCE 2 control unit



Example of the cutter:
left to close, right to open

4.5 Accessories

Combi devices



Shear blades



Pulling device



Chain set



RZM 740



Transport case

ID-Nr.	SPS 270 E-FORCE 2	SPS 360 L E-FORCE 2	SPS 370 E-FORCE 2
Shear blades	1819240	1068993	1063315
Pulling device with pins	2096617	2835746	2836033
Chain set	571407	2819139	2819139
RZM 740	1056478		-
Transport case	1058128		

Cutters



Blade without insert



Blade insert



Blade complete

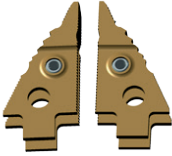


Blade inserts in pouch

Shear blade for
RSX 160-50

ID-Nr.	RSX 180-80 PLUS E-FORCE 2	RSU 200-107 PLUS E-FORCE 2
Blade without insert	1059363	1072763
Blade insert	1061568	1075983
Blade complete	1059362	1078502
Blade inserts in pouch	1061567	1078501
Shear blade for RSX 160-50	1050557	

Spreader



Spreader tips



Chain set

ID-Nr.	SP 35 AS E-FORCE 2	SP 53 BS E-FORCE 2
Spreader tips	1062226	1068392
Chain set	571415	

Rescue cylinder



Extension

ID-Nr.	RZ 1-910 E-FORCE 2
Extension 175 mm	1058482
Extension 250 mm	3838579

Accessories E-FORCE 2 devices

	ID-Nr.
Replacement battery 3.0 Ah	1053785
Replacement battery 5.0 Ah	1072893
Battery case	1056921
Strap for battery case	1056920
Plug-in charger 230V	1054097
Plug-in charger 110V	1054099
Onboard charger	1060423
Permanet power supply / power adaptor 230V	1060422
Permanet power supply / power adaptor 110V	1060426

4.6 Replacing blade inserts (PLUS)

During blade replacement, the cutter is fixed in place. Any slipping should be avoided. Replacing the blade requires a soft-face hammer, the roll pins supplied, a punch and the blade inserts themselves. It makes sense to replace both blade inserts so that the cutting behaviour is not impaired.



NOTE!

The blade inserts should not be reground, simply cleaning off any soil is recommended.

Procedure:



Fig. 1

The cutter is positioned with the type plate pointing upward and is fixed in place. A clamping device, as shown in the illustrations, is not obligatory. When the blade insert is being changed, the battery must be removed from the cutter and not under load. This means that the shear is not completely open or closed. The blade insert for the cutter blade with the smooth surface can now be replaced. The roll pins are knocked out and downward from the punch (see figure 1).



Fig. 2

After the roll pins have been knocked out of their position, the blade insert can be pulled out. The use of a forked screwdriver is recommended. If the blade insert cannot be loosened immediately, it can be gently levered out using a punch in the holes (see figure 2).



Fig. 3

Next, the cutter is rotated and the blade insert is placed in the cutter blade with no insert. When inserting, make sure that the blade insert does not twist. If the blade inserts cannot be inserted by hand, use the soft-head hammer (see figure 3).



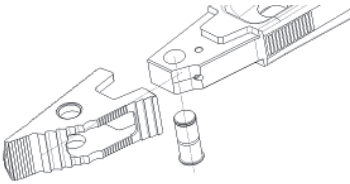
Fig. 4

The roll pins are located using a punch and light blows of a hammer from above into the position holes provided for this purpose. Roll pins should be pushed into position until they are flush with the top surface of the blade (see figure 4).

4.7 Changing the spreader tips (SP 35 AS, SP 53 BS, SPS 370)

The spreader tips are secured in the spreader arms with removable collar studs (with the exception of the SP 35 AS and the SP 53 BS). In order to change, press out the studs secured by a spring-loaded ball. After changing the tips, push the collar studs back in again. When doing this ensure that the studs are correctly fitted (completely pressed in).

Fitting the bracket for the chain set is identical. The chain lock must be fitted with the lock facing upwards.



The collar studs on the SP 53 spreader tips can be pressed out of the spreader arms but have a safety system to prevent them being lost and so they cannot be separated from the tips.

The SP 35 AS spreader tips are not secured with removable collar studs but rather with a tensioning pin that must be knocked out when the tips are being changed. The chain set can be fastened in a separate hole without having to remove the tips beforehand.

5 Possible applications

5.1 Safety information



WARNING!

Never reach between the cutter blades or the spreader arms!



WARNING!

During any work with battery-powered devices, voltage-carrying parts can break or fly off, thereby endangering people.

Uninvolved parties must therefore remain a safe distance away or stay in the danger zone only as long as necessary.

5.2 Cutting (Cutters, combi devices)

The devices' cutting capabilities can only be used optimally if they are placed as near as possible to the blades' pivot point (Figure 1). This means it may be necessary to readjust the device.

The device only achieves full cutting performance when the rocker lever is pressed all the way through. In addition, it can take several seconds for the unit to reach full operating pressure.

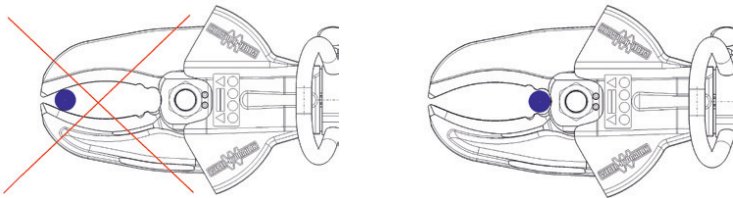


Fig. 1

To prevent the blades from being damaged, they must always be placed at right angles to the material to be cut. Also, the tips of the blades must not be more than 5mm apart during the cutting process. If this value is exceeded, the cutting process must be stopped and then started again.

**CAUTION!**

Do not sever any parts with loose ends, because this can result in personal injury due to parts flying off.

**ATTENTION!**

When cutting high-strength vehicle body parts, such as shock absorbers, hinges or steering columns, the shear blades (arms) may cause severe damage.

5.3 Lifting / pressing (rescue cylinder)

In its closed state, the rescue cylinder is positioned for lifting or pushing away vehicle body parts. Therefore, make sure that the cylinder is placed as centrally as possible and at a right angle to the load.

For better positioning, the pushing head can be turned on the piston rod.

Suspended parts must immediately be suitably braced and supported. It is forbidden to stay under suspended loads.

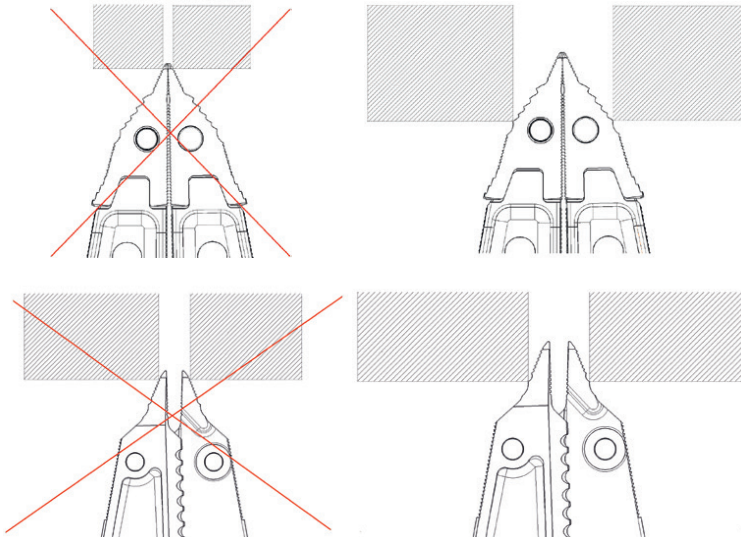
**NOTE!**

Before the rescue cylinder is used, the attachment point must be supported so that force develops in the desired direction.

5.4 Spreading (Spreaders, combi devices)

The spreading function's uses include opening doors, lifting vehicles and other movable loads, pushing vehicle parts away, and squashing tubes and beams. For this, the vehicle must be stably stabilized and supported.

To prevent any sliding during spreading, the arms and tips are fluted inside and out. Whenever possible, the tips should be used only to enlarge a gap, because repositioning the spreader prevents slipping.



5.5 Pulling (spreaders, Combi devices)

After the chain set (as explained in chapter 4.7) has been mounted on the spreader tips, the combi device can also be used for pulling.

For this, the chains must be tightly tensioned and must be tensed only in the pulling direction. To tension the chain, only one lock can be pressed in, so that the chain can be pulled through the holder.

If the range of movement is not sufficient, tension chains or other means must be used so that the spreader can be reopened and the chain retensioned.



ATTENTION!

Store the pulling chains with locks mounted about 10–20 cm from the end. Check the chains prior to every use. Check that the weight does not stress the tip of the hook, but lies in the middle of the hook instead.

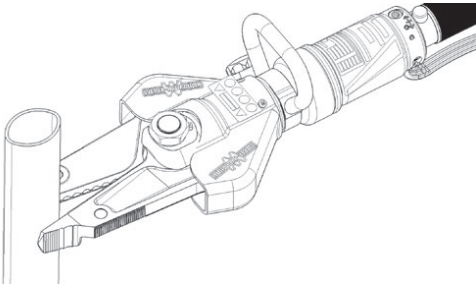
- » Do not make any repairs on your own.
- » Do not stress the chains beyond the permitted load carrying capacity.
- » Do not load with a jerking movement.
- » Do not galvanize or paint the chains.
- » Do not shorten the chain by knotting it.
- » Do not subject the chains to heat stress.
- » Use the chains and accessories only between -40°C and $+200^{\circ}\text{C}$.
- » During all maintenance work, observe the applicable German accident prevention regulations (UVV) as well as the specifications of DIN EN 818-7 and DIN 685-5.
- » Chains must only be used for lashing. Lifting loads is not permitted.

Chains must not be used if:

- » Deformations, cracks, signs of corrosion are present.
- » The wire diameter of the chain link has decreased by 10% of the nominal thickness.
- » An individual chain link has been permanently stretched.
- » An individual link has been enlarged by more than 2%.
- » The internal chain pitch over a measuring distance of 11 chain links has increased by more than 2%.

5.6 Crushing (Spreaders, combi devices)

Pipes and other hollow profiles are crushed by closing the spreader arms. With combi devices, however, crushing is only to be performed in the tip area.



ATTENTION!

Material to be crushed can suddenly jump away.
Do not remain in the work area of the spreading and combi devices!

5.7 Lifting (spreaders, combi devices)

The combi device can also be used for lifting vehicles or other movable loads. Care must be taken to secure the load against slipping away and to position the spreader tips far enough apart under the load to prevent slipping.

The load being lifted must be constantly monitored (tipping, rolling away or changing position). Also, the lifted load must immediately be propped up and supported in a suitable way.

5.8 Peeling (spreaders, combi devices)

To create entry openings after bus and train accidents, in silos, etc., both the spreader tips and the peeling tool can be used.

6 Battery and charger

6.1 Charger technical data

technical data	Charger MCLi
Voltage range	28 V
Charging current, quick charging	3.5 A
Charging time	ca. 1 h
Weight w/o power cable	700 g



Inputvoltage	ID-No.
220/240V AC 50/60Hz (Europe)	1054097
240V AC (Australia)	1054098
110V AC (USA)	1054099

6.2 Special safety instructions



WARNING!

Do not throw used rechargeable batteries into a fire or into household waste. Your dealer can dispose of batteries in an environmentally sound manner.

The following batteries can be charged with the charger:

Voltage	Battery type	Nominal capacity	Number of cells
28 V	M 28 BX	≥ 3.0 Ah	2 x 7
28 V	Li 28 V	≥ 3.0 Ah	2 x 7
28 V	Li-Ion 71NR	≥ 5.0 Ah	2 x 7

**WARNING!****Important safety information concerning the battery and charger.**

- » Do not use the charger to charge non-rechargeable batteries.
- » Do not store batteries together with metal objects (danger of short circuit).
- » Do not allow metal parts to enter the charger's battery insertion slot (danger of short circuit).
- » Do not open batteries and chargers, and store only in dry rooms. Protect from moisture.
- » The charger carries voltage from the power grid. Do not reach into the device with conductive objects.
- » Do not load a damaged battery — replace it immediately instead.
- » Before every use, check the device, connection cable, battery pack, extension cable and plug for damage and ageing. Allow only qualified personnel to repair damaged parts.
- » This device is not designed for use by persons (including children) with limited physical, sensory or mental abilities, or lacking experience, and/or lacking expertise, unless they are supervised by a person responsible for their safety or have received instructions from this person on how to use the device. Children should be supervised to ensure that they do not play with the device.

6.3 Intended use

This charger charges the 28V Li-ion battery of the M 8/V28 system delivered with the battery-powered device. This device must be used only as specified and intended.

6.4 Power line connection

Only connect to single-phase AC current and only to the line voltage specified on the type plate. Connection to power sockets without an earthing contact is possible, because this is a protection class II design.

6.5 Li-ion battery

For safety reasons (air transport regulations), the batteries are delivered uncharged. Before first use, the battery must be completely charged.



If the battery is not used for a prolonged period of time, the battery switches to standby mode. To use again, the battery must be reactivated (recharged).

The charge status can be called up by pressing the button on the battery (see Fig 1). To do this, the battery can remain in the battery-powered device, but it must be switched off at least 1 minute beforehand (otherwise the display will not be accurate). The number of glowing LEDs indicates the charge status.

The basic principle is: If the battery-powered device does not function after the battery is inserted, put the battery onto the charger for testing. The displays on the battery and charger give information about the battery charge status.

At low temperatures, the work can be still be carried out with lower performance. For best operational readiness, the batteries must be fully charged after use.

6.6 Charging process

After inserting the battery into the charger's insertion slot, the battery is charged automatically (red LED glows continuously).



If too warm or cold a battery is inserted into the charger (red LED flashes), the charging process starts automatically as soon as the battery has reached the correct charging temperature (0°C to 65°C). The maximum charging current flows if the temperature of the Li-ion battery is between 0°C and 65°C.



The charging time is between 1 min. and 60 min., depending on how much the battery has drained (at 3.0 Ah). The charge time for the 5.0 Ah rechargeable battery lies between 1 min and 90 min. If the battery is fully charged, the LED on the charger switches from red to green.



The battery does not need to be removed from the charger after charging. The battery can continue to stay in the charger. This cannot overload the battery, and it keeps the battery ready to use.

If both LEDs flash alternately, the battery is either not correctly placed or a malfunction of either the battery or charger has occurred. For safety reasons, remove the charger and battery from service immediately and have it checked by an authorized customer service centre.



If the power adapter is overloaded, all LEDs flash 4 times. To be able to continue charging, unplug the power adapter and plug it back in.



6.7 Maintenance

If the power cable is damaged, it must be replaced by a customer service centre.

Use only approved accessories and replacement parts. Parts whose replacement has not been described must be replaced by an authorised customer service centre.

6.8 Charging cycles

Information	Explanation
Charging cycles	approx. 1000
Partial discharge	No effect, because the battery always retains its capacity until discharge.
Partial discharge and subsequent recharge	Each recharge counts as a full charging cycle. Therefore the battery should be used until completely drained.
Deep discharge protection	is provided

7 Transport, packaging and storage

7.1 Safety information

**CAUTION!****Incorrect transport can cause damage!**

Improper transport can cause significant material damage.

Therefore:

- » Proceed with caution when unloading the packages, and observe the symbols on the packaging.
- » Do not fully open and remove the package until it has reached its actual storage location.

7.2 Transport inspection

Upon receipt, the delivery should be checked immediately for completeness and damage during transport so that a quick remedy can be performed, if necessary.

If there is visible external damage, please proceed as follows:

- Do not accept the delivery, or only accept it with reservation.
- Note the extent of the transport damage on the transport documents or on the transport company's delivery note.
- File a complaint.

**NOTE!**

Report any defect as soon as it is detected.

Claims for damages can be directed to our customer service department (see Chapter 1.6).

7.3 Symbols on the packaging



Caution, fragile!

Handle the package carefully — do not drop, throw, strike or tie up.



This way up!

The package must be transported and stored strictly so that the arrows point upward. Do not roll or tilt.

7.4 Disposal of packaging



All packaging materials and disassembled parts (transport protection) must be disposed of properly, in accordance with local regulations.

7.5 Storage

The equipment must be stored in a dry and dust-free environment, where possible. Avoid direct UV radiation to the hoses.



CAUTION!

The equipment must be stowed securely in the mountings provided in order to avoid damage during transit, etc.

8 Installation and commissioning

8.1 Safety information

**WARNING!****Danger of injury due to improper operation!**

Improper operation can cause serious injury or material damage.

Therefore, make absolutely sure to:

- » All operating steps are executed in keeping with the information in this operating manual.
- » All covers and protective devices are installed and in proper working order prior to starting work.

Personal protective equipment

Wear the protective equipment detailed in Chapter 2.4 for all work!

**NOTE!**

Special reference is made where it is necessary to wear additional protective equipment for certain work with or on the device.

8.2 Checking

Inspect the E-FORCE 2 device for damage. If the cutting device is not in pristine condition, it must not be used! In this case, immediately contact your supplier.

E-FORCE 2 combi devices, cutters and spreaders:

- Check the blades (for damage)
- Inspect the spreader tips (for damage)
- Check the control handle including the rocker lever (function)
- Check the handle (secure attachment)
- Check the protective cover (for damage)

E-FORCE 2 rescue cylinder:

- Check the piston rod (for damage)
- Check the control handle including the rocker lever (function)
- Check the plungers (for damage)
- Check the guide piece (for damage)

8.3 Shut-down (end of work)

Cutters:

After work is over, the blade tips must be placed one above the other to prevent injury. The blades of the cutting device must not be completely closed, as otherwise tension will build up in the device.

Rescue cylinder:

After work is over, the cylinder's piston rod must be completely retracted, so as to relieve the hydraulic load on the device.

Combi devices and spreaders:

After work is over, the spreading arms must remain slightly open, so as to relieve the hydraulic load on the device.

9 Service

9.1 Safety information

**WARNING!****Risk of injury due to improperly performed maintenance work!**

Improper maintenance of the equipment can cause serious injury or material damage.

Therefore, make absolutely sure to:

- » Only let qualified personnel carry out maintenance work.
- » Make sure the installation site is organised and clean! Loose components and tools lying around are sources of danger.
- » Wear protective gloves for all work!

9.2 Care and maintenance

In the interest of permanent operational readiness, the following measures are essential:

- Each time the device is subjected to a load, but at least once a year, the equipment and the accessories must be visually inspected. Special attention must be paid to spreader tips, joints, blades, hoses, and coupling halves.
- Every three years, or if there are doubts about the safety or reliability of the equipment, functional testing and stress testing must also be carried out (according to GUV-G 9102 or country-specific guidelines).
- After every loading, the lubrication of the movable parts and pins must be inspected and sprayed with Fin Grease OG.



ATTENTION!

Prior to all maintenance work, the equipment must be cleaned of any dirt so that it does not get into the hydraulic system.

The cleaning can be carried out using a conventional citrus cleaner.

9.3 Maintenance schedule

A precise maintenance plan with testing intervals, regulations and results can be found in the GUV – G 9102 Point 18 (hydraulically operated rescue equipment).



NOTE!

If there are any problems with the maintenance of the devices, our customer service is available (see Chapter 1.6).

10 Malfunctions

Combi devices and cutters:

Malfunction	Possible cause	Remedy
Device does not reach full performance	Rocker levers not completely pressed to the side	Press the rocker lever completely to the side
Combi device moves in opposite direction under load	Check if valve is defective	Have the device checked by an authorized service centre.
Blades are loose and gape apart during cutting	Blade not attached to the cutter head as specified	Have repaired by an authorized workshop
Blade opening below target value	Cutter head settings altered	Have repaired by an authorized workshop
Combi device's opening width below target value	Cutter head settings altered	Have repaired by an authorized workshop
Pressure build-up despite movement (open – closed) without load	Hex nut / central bolt too tight	Have repaired by an authorized workshop
Blade chipping	Blades damaged e.g. from cutting high-strength materials	Regrindable to about 2 mm, see repair manual, otherwise replace
Cracks in the blades	Blades damaged e.g. from cutting high-strength materials	Have the blades replaced by an authorized service centre
Rescue equipment does not function	Battery is dead	Place the battery on the charger. The displays on the battery and charger give information about the battery charge status.

Rescue cylinder:

Malfunction	Possible cause	Remedy
Device does not reach full performance	Rocker levers not completely pressed to the side	Press the rocker lever completely to the side
Cylinder moves in opposite direction under load	Check if valve is defective	Have the device checked by an authorized service centre
Rescue equipment does not function	Battery is dead	Place the battery on the charger The displays on the battery and charger give information about the battery charge status

Spreader:

Malfunction	Possible cause	Remedy
Device does not reach full performance	Rocker levers not completely pressed to the side	Press the rocker lever completely to the side
Spreader moves in opposite direction under load	Check valve defective	Have the device checked by an authorized service centre
Rescue equipment does not function	Battery is dead	Place the battery on the charger. The displays on the battery and charger give information about the battery charge status

11 Decommissioning/Recycling

After the end of the normal service life, the equipment must be professionally disposed of. Individual parts can, however, certainly be used again.

The hydraulic oil must be completely drained and collected. Make sure that the hydraulic oil is disposed of separately!

For disposal of all device components and packaging materials, the disposal conditions of the specific location apply.

Do not discard electric tools with household waste! According to European directive 2002/96/EC for used electric and electronic devices and its implementation in national regulations, used electric tools must be collected separately and recycled in an environmentally sound manner.

**NOTE!**

Please ask your supplier about disposing of the device.

12 EC Declaration of Conformity

EC-DECLARATION OF CONFORMITY

according to Directive 2006/42/EG

WEBER-HYDRAULIK GMBH

Industriegebiet 3 + 4, A-4460 Losenstein, OÖ,

Herewith we declare, that our "Hydraulic rescue Equipment"

SPREADER	SP35 (AS) E-FORCE(2), SP35-L E-FORCE(2) SP53BS E-FORCE(2)
CUTTER/ VARIO	RSX160- 50 E-FORCE(2), RSX165- 65 E-FORCE(2) RSX180- 80 (PLUS) E-FORCE(2), RSU200-107 (PLUS) E-FORCE(2), RSX200-107 (PLUS) E-FORCE(2) SPS270 E-FORCE(2), SPS330 E-FORCE(2), SPS360 (L) E-FORCE(2), SPS370 E-FORCE(2), SPS400 E-FORCE(2)
RESCUECYLINDER	RZ 1 – 910 E-FORCE(2), RZT2-1360 E-FORCE(2)
POWER-UNITS	AKKU 3,0 Ah, AKKU 5,0 Ah
ACCESSORIES	BATTERY CHARGER, and accessories to all tools, , BC250 E-FORCE(2), SPK250 E-FORCE(2), DO140 E- FORCE(2)

meet the relevant basic safety and health requirements of the Directive

EC-MACHINE DIRECTIVE 2006/42/EC

EC-ELECTROMAGNETIC COMPATIBILITY DIRECTIVE 2004/108/EC

For the relevant implementation of the safety and health requirements mentioned in the Directive, the following standards and or technical specifications has been respected:

DIN 14751-4	DIN EN 13204	DIN EN ISO 12100-1
DIN EN ISO 12100-2	DIN EN ISO 13857	NFPA 1936


The tools are tested according to DIN 14751-4, EN 13204 and NFPA 1936 trough TÜV-Süd.

Authorised person to compile the technical file(s):

J. Schmollingruber, WEBER HYDRAULIK GmbH, A-4460 Losenstein, Industriegebiet 3+4

WEBER-HYDRAULIK GmbH

Losenstein, 08.09.2015


ppa Bernhard Obermayr
(Director)


i.A. Johann Schmollingruber
(Design Manager)

Ø WHL: RV, ST, SQ

WEBER-HYDRAULIK GmbH

Heilbronner Straße 30
74363 Güglingen / Germany
Telefon +49 (0) 7135/71-10270
Telefax +49 (0) 7135/71-10396
info@weber-rescue.com
www.weber-rescue.com

Industriegebiet 3 + 4
4460 Losenstein / Austria
Telefon +43 (0) 7255/6237-120
Telefax +43 (0) 7255/6237-12461
info@weber-rescue.com
www.weber-rescue.com

WEBERRESCUE
SYSTEMS

www.weber-rescue.com