

TECHN. DATEN (TECHNICAL DATA):

NENNDRUCK (NOMINAL PRESSURE)  $P_N$  ..... 70 MPa (700bar)

PRÜFDRUCK (TEST PRESSURE)  $P_p$  ..... 84 MPa (840bar)

GEWICHT (WEIGHT) ..... 17,0 kg

(INKL. 0,3m SCHLÄUCHE U. KUPPLUNGEN; INCL. 0,3m HOSES AND COUPLINGS)

ÖLBEDARF (REQUIRED OIL VOLUME) ..... 0,1 l

STEUERUNG (SAFETY FEATURES)

SICHERHEITSSCHALTUNG ENTSPRECHEND EN 13204

(WHEN CONTROL KNOBS IN NEUTRAL POSITION,  
OIL CIRCULATES WITHOUT EXERTING PRESSURE)

Schneidklasse (CUTTING CLASS):

EN 13204 ..... CC 218-H-17

NFPA 1936 ..... A7/B8/C7/D8/E9

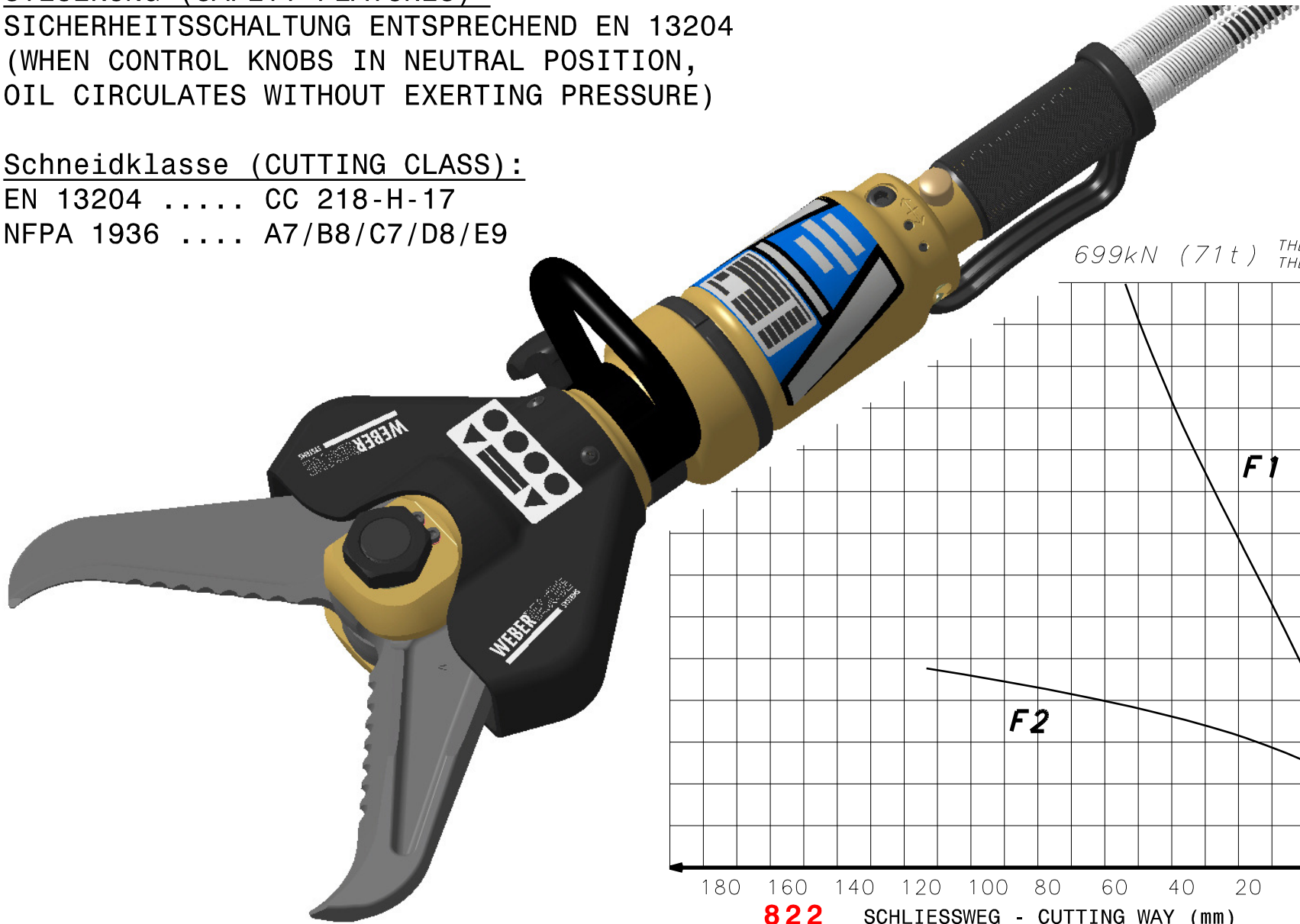
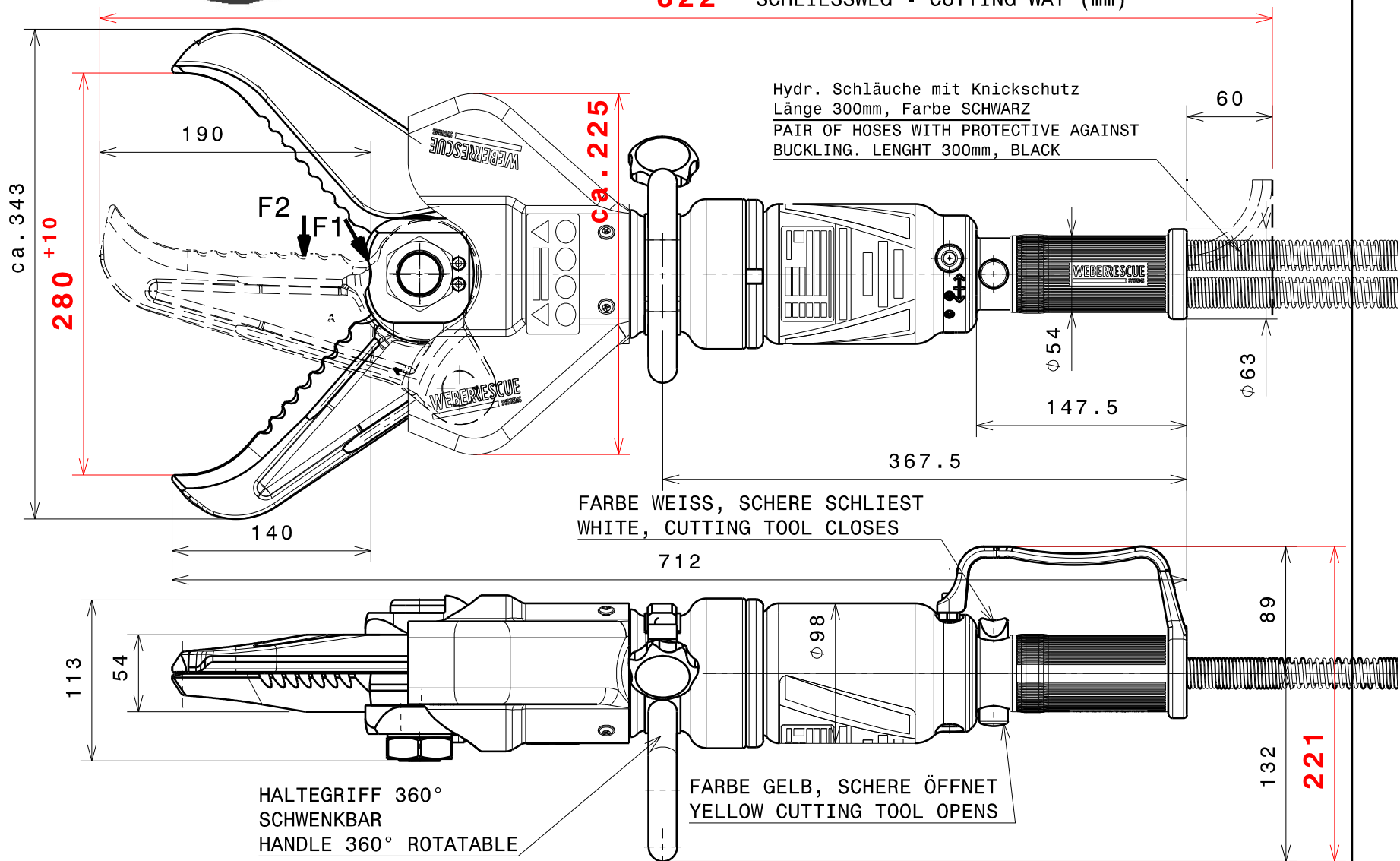


DIAGRAMM BEI 70MPa U. OHNE WIRKUNGSGRAD  
DIAGRAM AT 70MPa AND WITHOUT EFFICIENCY



GEPR. JSC  
CHECK.

GEZ. KST  
DRAW. DAT. 10.11.05

KST  
06.11.13

GEAEND. MODIF.  
AEND.-DATUM MOD.-DATE

130768  
C

AEND.-NR. MOD.-NO.  
REVISION REVISION

FREIMASSTOLERANZEN (GENERAL TOLERANCES)	LAENGENMASS (LENGTH)mm	...50	50...250	250...1000	1000...	WINKELMASS (ANGLE)	...180°
	TOLERANZ (TOLERANCE)mm	±1,5	±2,0	±3,0	±5,0	TOLERANZ (TOLERANCE)	±10°