

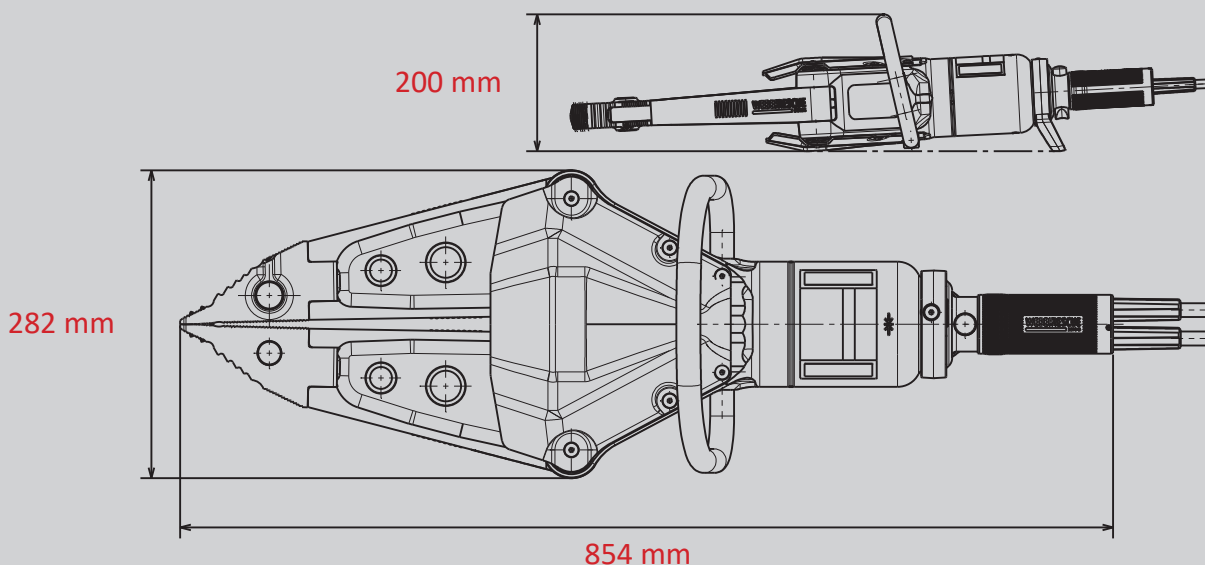
SPREADER SP 50 BS

Part no.
1090581



Technical specifications:

Spreading width	805 mm
Spreading force (in the working area)	50 - 501 kN
Max. crushing force	144 kN
Range	680 mm
Max. traction power	67 kN
Weight	17,1 kg
Oil demand	0,2 l
Dimensions (LxWxH)	854 x 282 x 200 mm
Nominal pressure	700 bar
EN classification (EN 13204)	BS50/805-17,1



Images are non-binding. We reserve the right to technical modifications.
60004638 (-, -, ALL, 1.1.10.2019)