

TECHN. DATEN (TECHNICAL DATA):

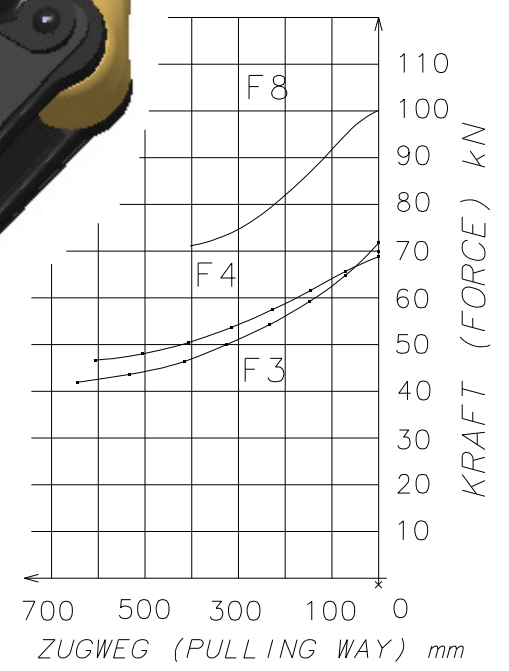
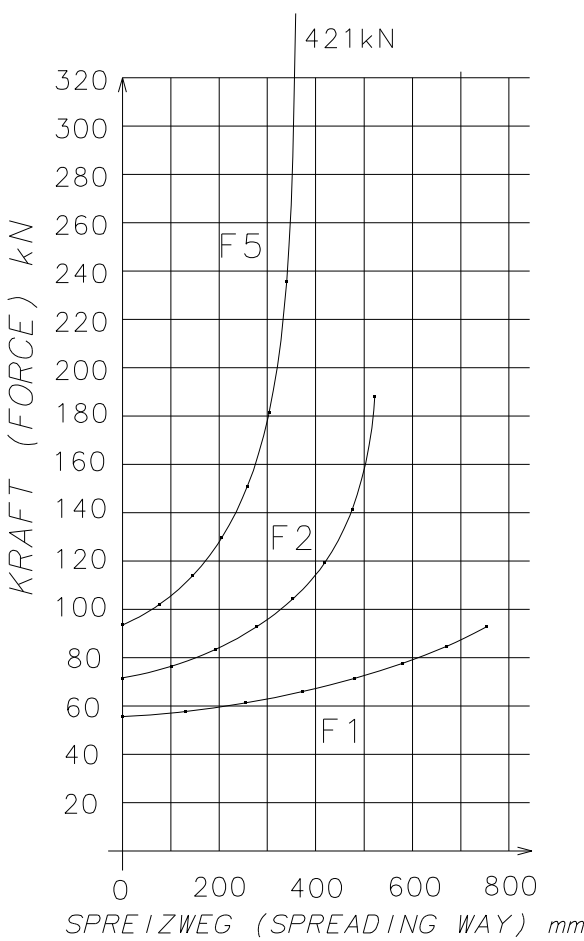
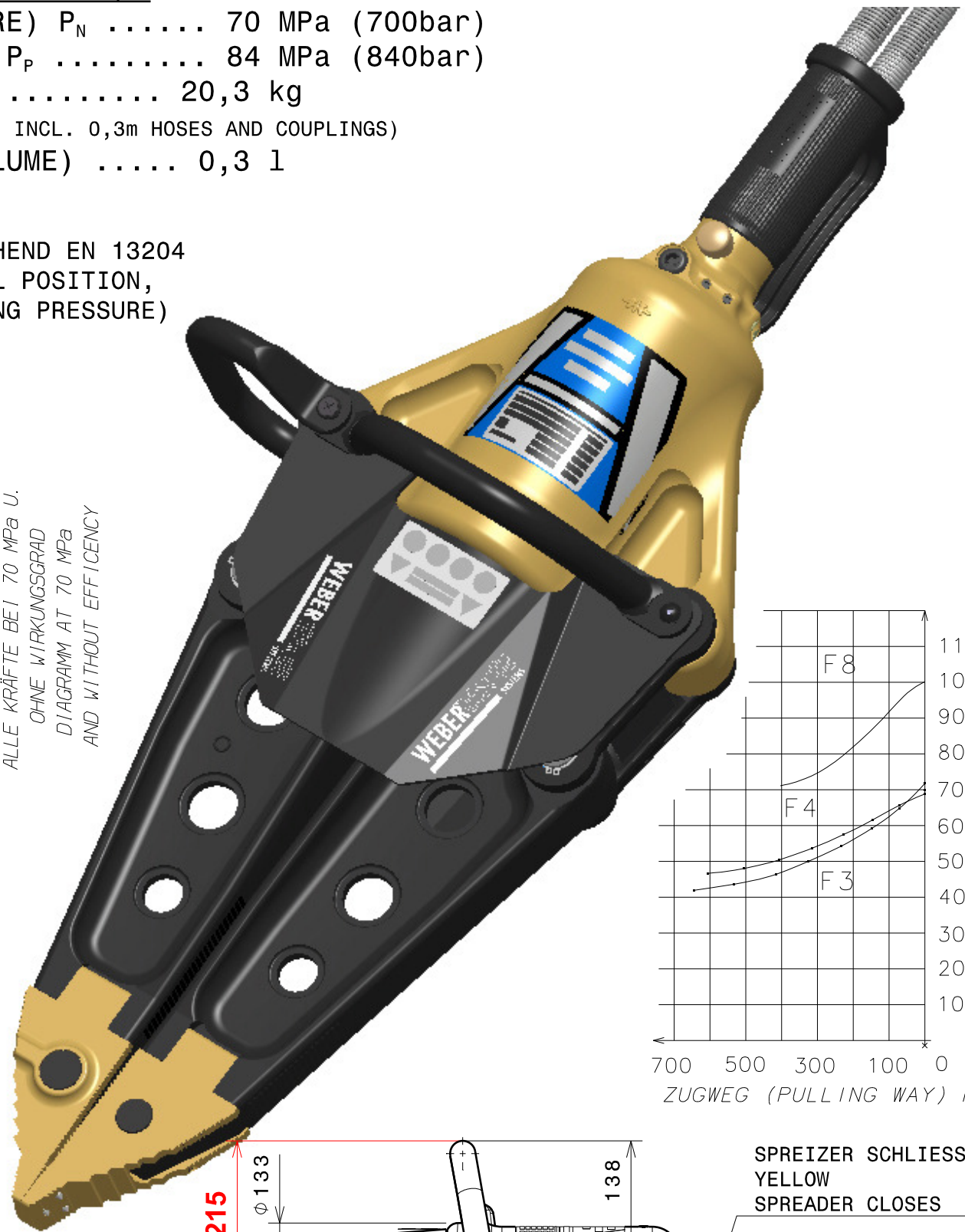
NENNDRUCK (NOMINAL PRESSURE) P_N 70 MPa (700bar)
 PRÜFDRUCK (TEST PRESSURE) P_P 84 MPa (840bar)
 GEWICHT (WEIGHT) 20,3 kg
 (INKL. 0,3m SCHLÄUCHE U. KUPPLUNGEN; INCL. 0,3m HOSES AND COUPLINGS)
 ÖLBEDARF (REQUIRED OIL VOLUME) 0,3 l

STEUERUNG (SAFETY FEATURES)

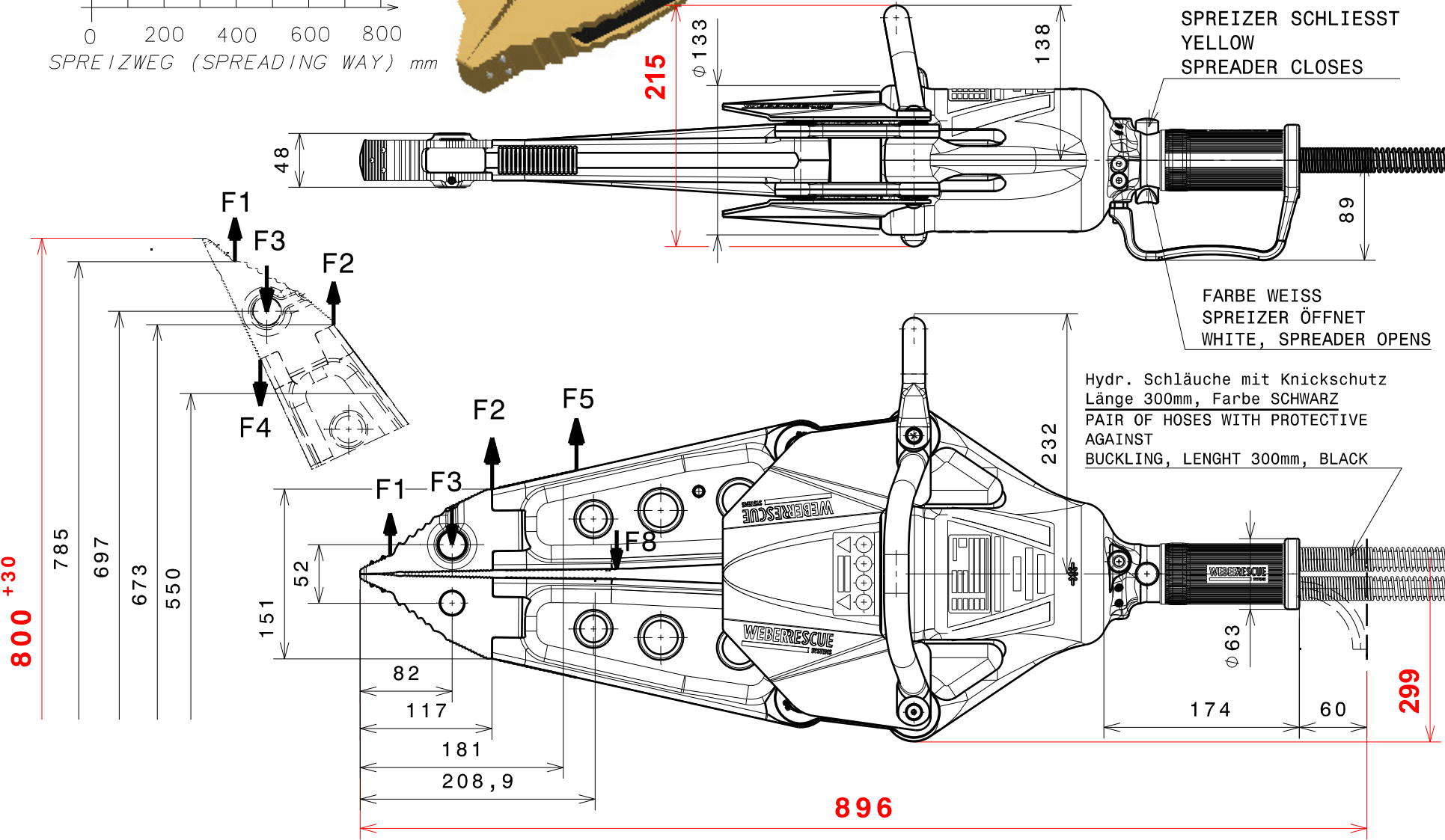
SICHERHEITSSCHALTUNG ENTSPRECHEND EN 13204
 (WHEN CONTROL KNOBS IN NEUTRAL POSITION,
 OIL CIRCULATES WITHOUT EXERTING PRESSURE)

Klasse (CLASS):

EN 13204 BS 53/800-20



GEPR. JSC CHECK.
 GEZ. KST DRAW. DAT. 14.08.12
 KST 17.10.13
 GEAND. MODIF. AEND.-DATUM MOD.-DATE
 130746 C
 AEND.-NR. MOD.-NO. REVISION



FREIMASSTOLERANZEN (GENERAL TOLERANCES)	LAENGENMASS (LENGHT)mm	...50	50...250	250...1000	1000...	WINKELMASS (ANGLE)	...180°
	TOLERANZ (TOLERANCE)mm	±1,5	±2,0	±3,0	±5,0	TOLERANZ (TOLERANCE)	±10°