

# CUTTER RSU 210 PLUS

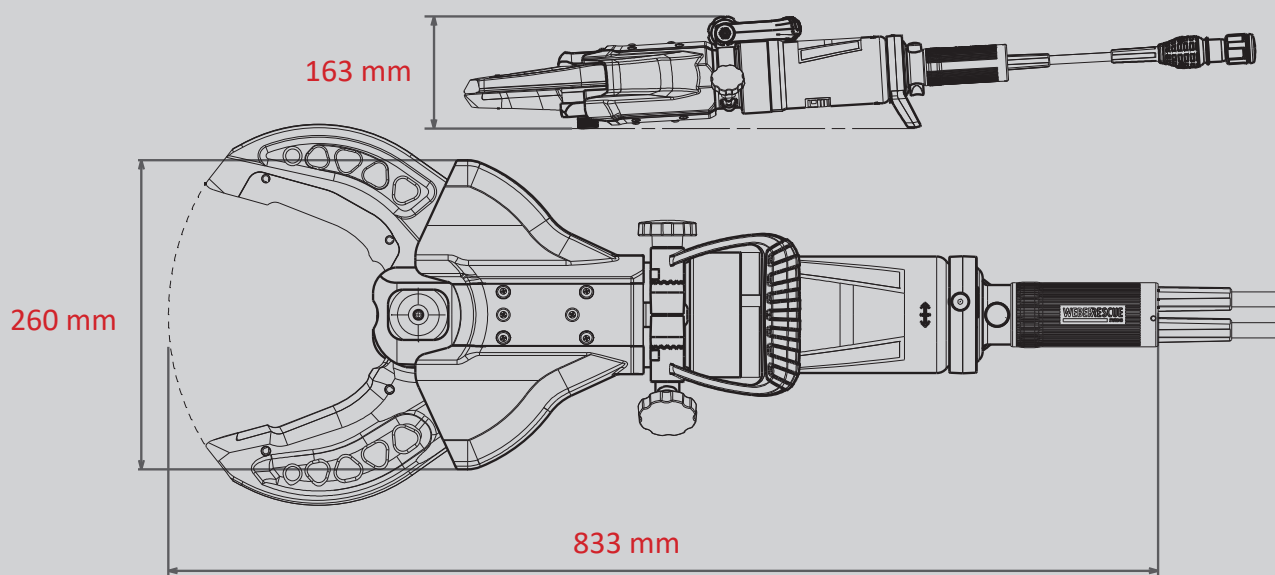
Part no.  
**1093298**



-  PLUS
-  ULTIMATE
-  FORGED
-  SINGLE
-  360° HANDLE
-  PUSH-CONTROL

## Technical data:

|                                |                    |
|--------------------------------|--------------------|
| Opening width                  | 210 mm             |
| Weight (ready for use)         | 19,6 kg            |
| Required oil volume            | 0,3 l              |
| Dimensions (LxWxH)             | 833 x 260 x 163 mm |
| Nominal pressure               | 700 bar            |
| EN classification (EN 13204)   | CC200K-19,6        |
| EN cutting class (EN 13204)    | 1K-2K-3K-4K-5K     |
| NFPA cutting class (NFPA 1936) | A8-B9-C8-D9-E9     |



Images are non-binding. We reserve the right to technical modifications.  
60004805 (190581, A, ALL, 26.06.2019)