

BATTERY-CUTTER RSU 210 PLUS E-FORCE3

Part no.
1093514

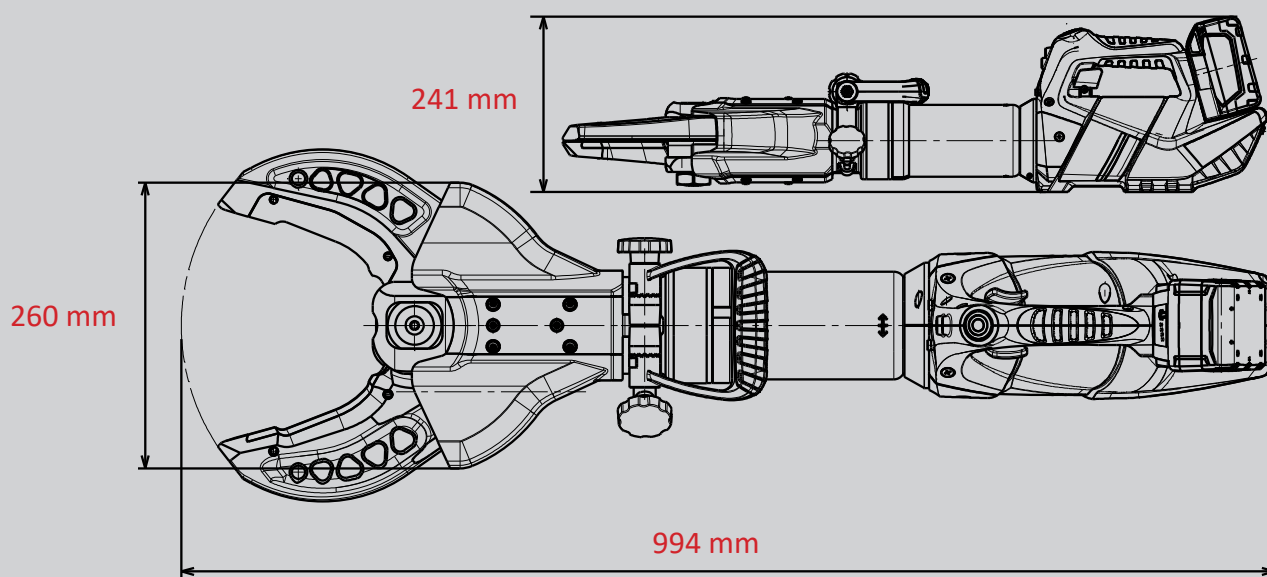


-  PLUS
-  ULTIMATE
-  FORGED
-  X-CHANGE
-  CHARGE
-  SPEED CONTROL
-  360° HANDLE

E FORCE 3

Technical data:

Opening width	210 mm
Weight (incl. battery)	23,5 kg
Dimensions (LxWxH)	994 x 260 x 241 mm
Nominal pressure	700 bar
EN classification (EN 13204)*	CC200K-23,5
EN cutting class (EN 13204)*	1K-2K-3K-4K-5K
NFPA cutting class (NFPA 1936)	A8-B9-C8-D9-E9



*According to EN 13204. Images are non-binding. We reserve the right to technical modifications.
60004847 (-, -, ALL, 22.01.2020)

WEBER-HYDRAULIK GMBH
Heilbronner Straße 30
74363 Güglingen/Deutschland
Fon +49 7135/71-10270
Fax +49 7135/71-10396
info@weber-rescue.com

Emil Weber Platz 1
4460 Losenstein/Österreich
Fon +43 7255/6237-120
Fax +43 7255/6237-12461
info@weber-rescue.com

WEBER RESCUE
SYSTEMS
www.weber-rescue.com