

# BATTERY-CUTTER RSX 160 E-FORCE3

Part no.  
**1093508**

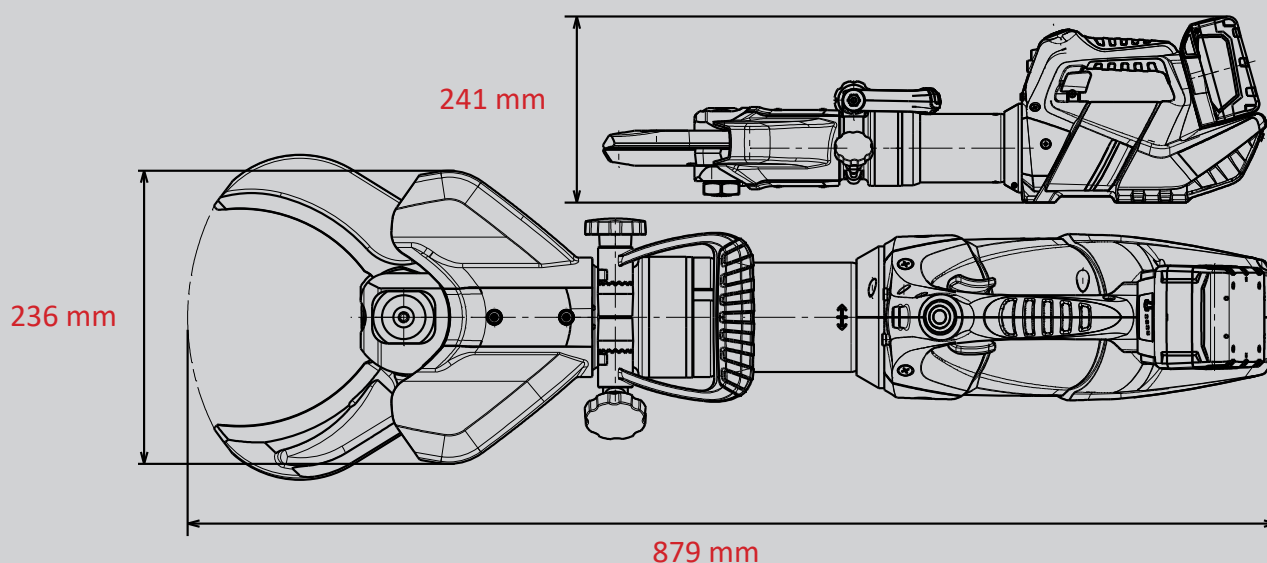


-  XTREME
-  FORGED
-  X-CHANGE
-  CHARGE
-  SPEED CONTROL
-  360° HANDLE

## E FORCE 3

### Technical data:

Opening width	160 mm
Weight (incl. battery)	18,5 kg
Dimensions (LxWxH)	879 x 236 x 241 mm
Nominal pressure	700 bar
EN classification (EN 13204)*	BC160H-18,5
EN cutting class (EN 13204)*	1I-2K-3H-4J-5H
NFPA cutting class (NFPA 1936)	A7-B8-C6-D7-E8



\* According to EN 13204. Images are non-binding. We reserve the right to technical modifications.  
60004841 (-, -, ALL, 22.01.2020)

WEBER-HYDRAULIK GMBH  
Heilbronner Straße 30  
74363 Güglingen/Deutschland  
Fon +49 7135/71-10270  
Fax +49 7135/71-10396  
info@weber-rescue.com

Emil Weber Platz 1  
4460 Losenstein/Österreich  
Fon +43 7255/6237-120  
Fax +43 7255/6237-12461  
info@weber-rescue.com

**WEBER RESCUE**  
SYSTEMS  
www.weber-rescue.com