

CUTTER RSX 160

Part no.
1093226



 XTREME

 FORGED

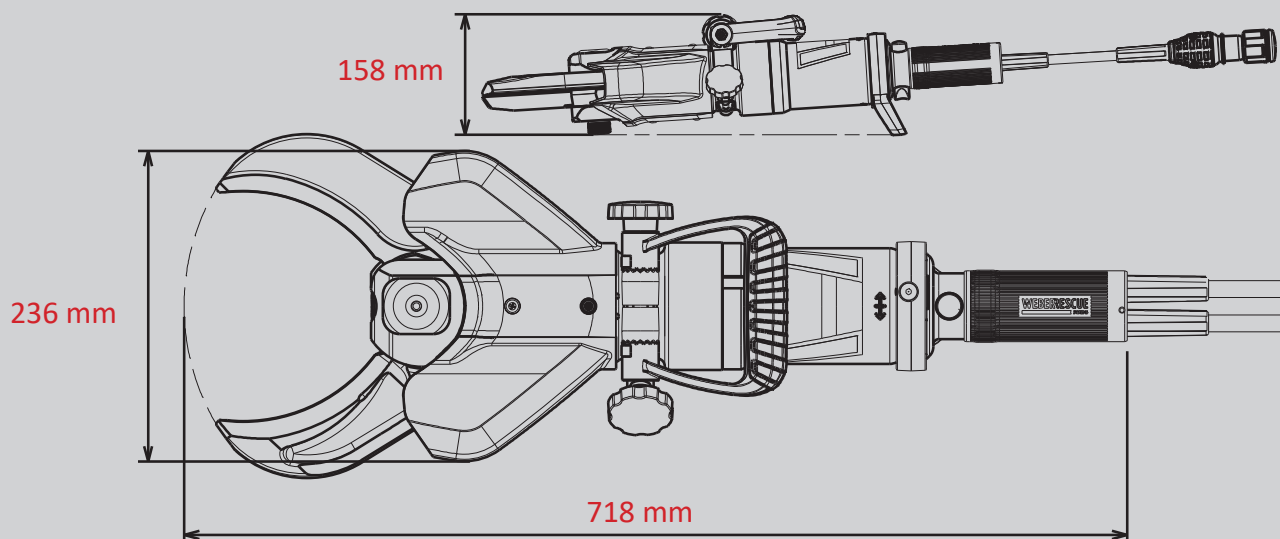
 SINGLE

 360° HANDLE

 PUSH-CONTROL

Technical data:

Opening width	160 mm
Weight (ready for use)	14,5 kg
Required oil volume	0,1 l
Dimensions (LxWxH)	718 x 236 x 158 mm
Nominal pressure	700 bar
EN classification (EN 13204)	BC160H-14,5
EN cutting class (EN 13204)	1I-2K-3H-4J-5H
NFPA cutting class (NFPA 1936)	A7-B8-C6-D7-E8



Images are non-binding. We reserve the right to technical modifications.
60004794 (190581, A, ALL, 26.06.2019)