

BATTERY-SPREADER SP 40 C E-FORCE3

Part no.
1093832



 GRIP

 PEELING

 X-CHANGE

 CHARGE

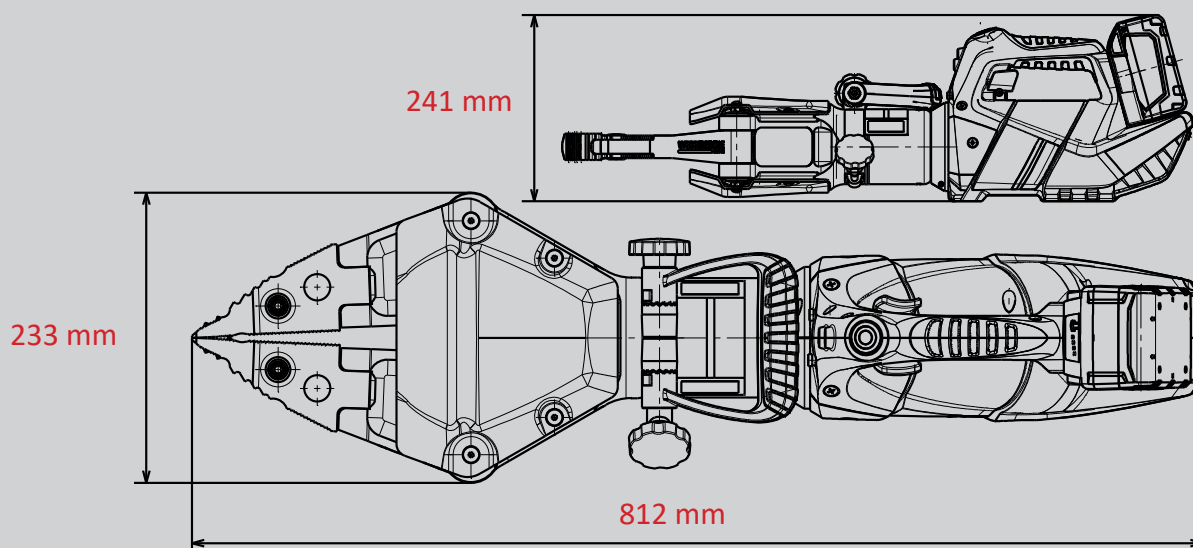
 SPEED CONTROL

 360° HANDLE

E FORCE 3

Technical specifications:

Spreading width	515 mm
Spreading force (in the working area)	41 - 173 kN
Max. crushing force	54,0 kN
Pulling width	550 mm
Max. pulling force	47,0 kN
Weight (incl. battery)	14,7 kg
Dimensions (LxWxH)	812 x 233 x 241 mm
Nominal pressure	700 bar
EN classification (EN 13204)*	-



*According to En 13204. Images are non-binding. We reserve the right to technical modifications.
60004884 (-, -, ALL, 21.01.2020)