

BATTERY-SPREADER SP 50 BS E-FORCE3

Part no.
1091735



GRIP



PEELING



X-CHANGE



CHARGE

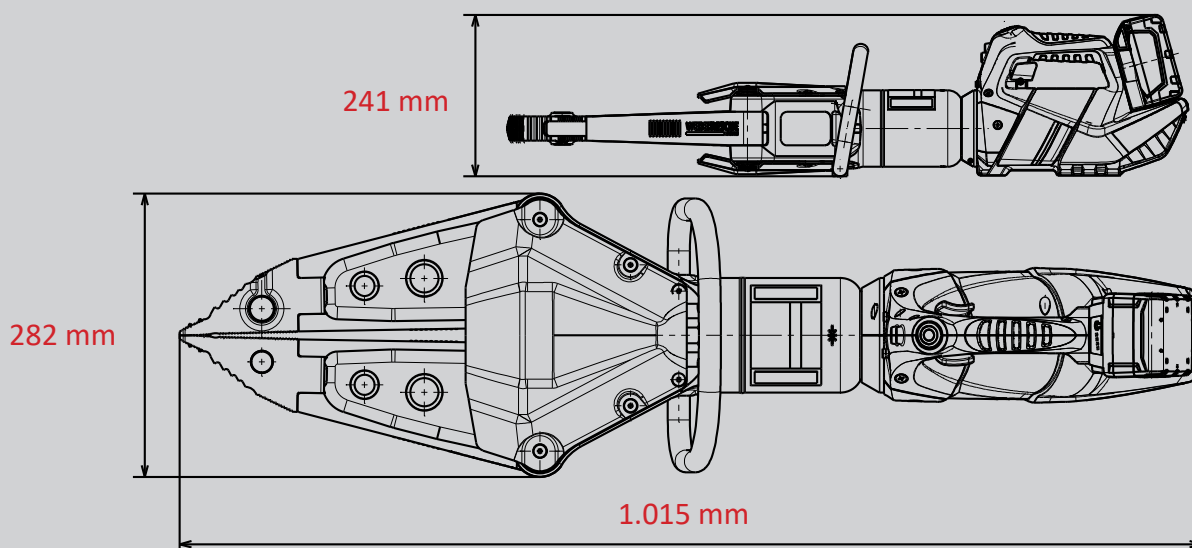


SPEED CONTROL

E-FORCE3

Technical specifications:

Spreading width	805 mm
Spreading force (in the working area)	50 - 501 kN
Max. crushing force	144,0 kN
Pulling width	680 mm
Max. pulling force	67,0 kN
Weight (incl. battery)	20,9 kg
Dimensions (LxWxH)	1.015 x 282 x 241 mm
Nominal pressure	700 bar
EN classification (EN 13204)*	BS50/805-20,9



*According to EN 13204. Images are non-binding. We reserve the right to technical modifications.
60004860 (-, -, ALL, 21.01.2020)

WEBER-HYDRAULIK GMBH
Heilbronner Straße 30
74363 Güglingen/Germany
Tel +49 7135/71-10270
Fax +49 7135/71-10396
info@weber-rescue.com

Emil Weber Platz 1
4460 Losenstein/Austria
Tel +43 7255/6237-120
Fax +43 7255/6237-12461
info@weber-rescue.com

WEBER RESCUE
SYSTEMS
www.weber-rescue.com