

SPREADER SP 64 BS

Part no.
1093902



GRIP



PEELING



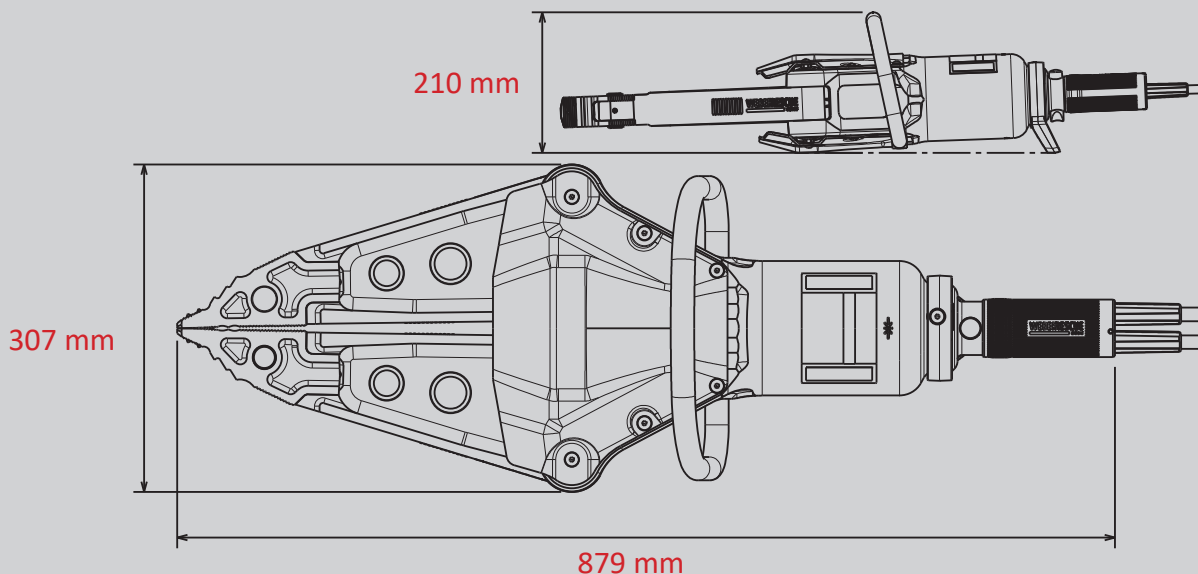
SINGLE



PUSH-CONTROL

Technical specifications:

Spreading width	820 mm
Spreading force (in the working area)	64 - 680 kN
Max. crushing force	129 kN
Range	702 mm
Max. traction power	74 kN
Weight	20,1 kg
Oil demand	0,3 l
Dimensions (LxWxH)	879 x 307 x 210 mm
Nominal pressure	700 bar
EN classification (EN 13204)	BS64/820-20,1



Images are non-binding. We reserve the right to technical modifications.
60004486 (-, -, ALL, 1.1.10.2019)