

BATTERY COMBI TOOL SPS 270 MK2 E-FORCE3

Part no.
1093515



 FORGED

 X-CHANGE

 CHARGE

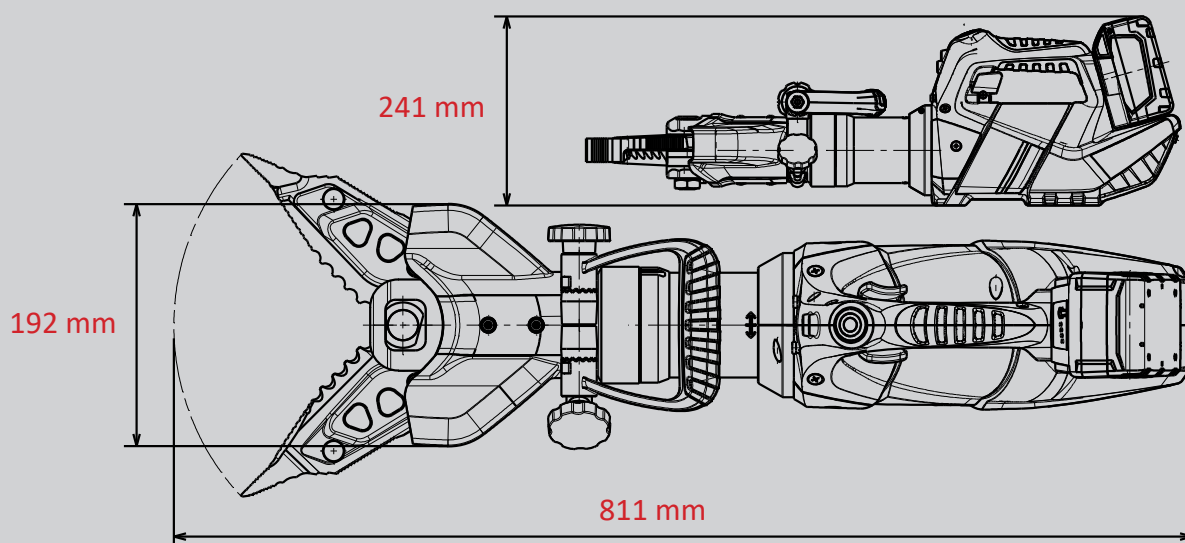
 SPEED CONTROL

 360° HANDLE

E FORCE 3

Technical data:

Spreading width	270 mm
Spreading force (in the working area)	31 - 591 kN
Opening width	221 mm
Pulling width (with adapters)	395 mm
Max. pulling force	36,0 kN
Weight (incl. battery)	13,6 kg
Dimensions (LxWxH)	811 x 192 x 241 mm
Nominal pressure	700 bar
EN classification (EN 13204)*	BK31/270G-13,6
EN cutting class (EN 13204)*	1H-2G-3G-4H-5G
NFPA cutting class (NFPA 1936)	A6-B7-C6-D7-E7



*According to EN 13204. Images are non-binding. We reserve the right to technical modifications.
60004849 (-, -, ALL, 13.02.2020)

WEBER-HYDRAULIK GMBH
Heilbronner Straße 30
74363 Güglingen/Deutschland
Fon +49 7135/71-10270
Fax +49 7135/71-10396
info@weber-rescue.com

Emil Weber Platz 1
4460 Losenstein/Österreich
Fon +43 7255/6237-120
Fax +43 7255/6237-12461
info@weber-rescue.com

WEBERRESCUE
SYSTEMS
www.weber-rescue.com