

BATTERY COMBI TOOL SPS 360 MK2 E-FORCE3

Part no.
1096647



 FORGED

 X-CHANGE

 CHARGE

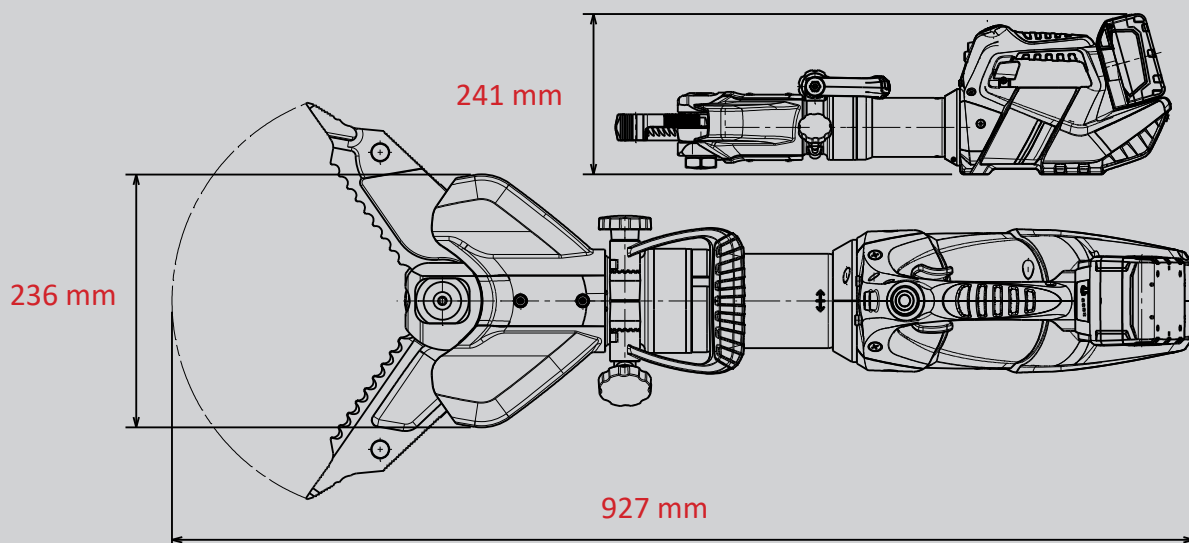
 SPEED CONTROL

 360° HANDLE

E FORCE 3

Technical data:

Spreading width	360 mm
Spreading force (in the working area)	36 - 783 kN
Opening width	285 mm
Pulling width (with adapters)	440 mm
Max. pulling force	53,0 kN
Weight (incl. battery)	18,8 kg
Dimensions (LxWxH)	927 x 236 x 241 mm
Nominal pressure	700 bar
EN classification (EN 13204)*	CK36/360H-18,8
EN cutting class (EN 13204)*	1I-2J-3H-4K-5I
NFPA cutting class (NFPA 1936)	A7-B8-C6-D8-E8



* According to EN 13204. Images are non-binding. We reserve the right to technical modifications.
60005269 (-, -, ALL, 13.02.2020)

WEBER-HYDRAULIK GMBH
Heilbronner Straße 30
74363 Güglingen/Deutschland
Fon +49 7135/71-10270
Fax +49 7135/71-10396
info@weber-rescue.com

Emil Weber Platz 1
4460 Losenstein/Österreich
Fon +43 7255/6237-120
Fax +43 7255/6237-12461
info@weber-rescue.com

WEBERRESCUE
SYSTEMS
www.weber-rescue.com