

# BATTERY COMBI TOOL SPS 370 MK2 E-FORCE3

Part no.  
**1096649**



 FORGED

 X-CHANGE

 CHARGE

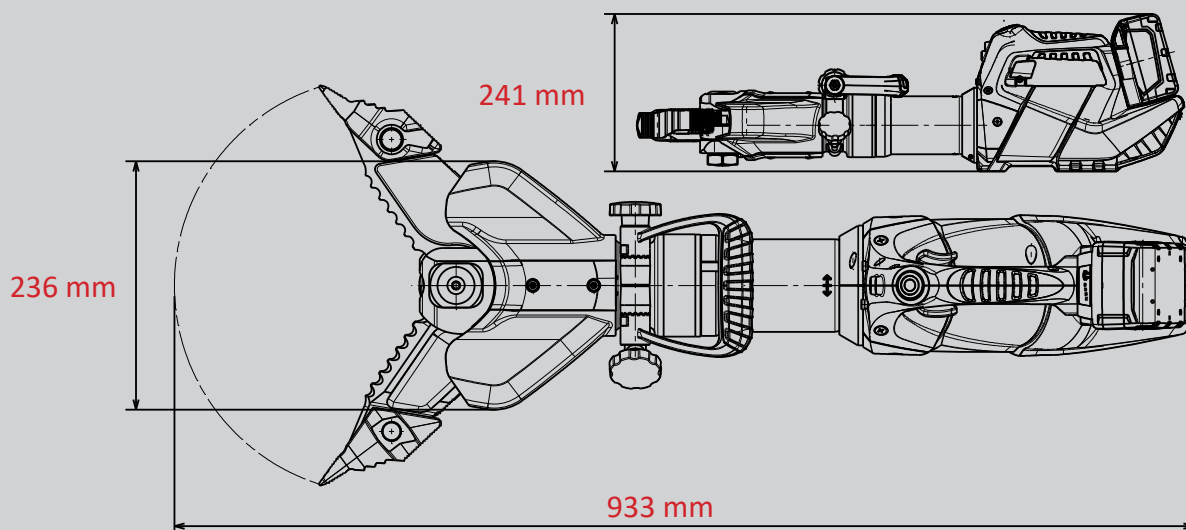
 SPEED CONTROL

 360° HANDLE

## E FORCE 3

### Technical data:

Spreading width	370 mm
Spreading force (in the working area)	35 - 783 kN
Opening width	295 mm
Pulling width (with adapters)	405 mm
Max. pulling force	57,0 kN
Weight (incl. battery)	20,0 kg
Dimensions (LxWxH)	933 x 236 x 241 mm
Nominal pressure	700 bar
EN classification (EN 13204)*	CK35/370H-20,0
EN cutting class (EN 13204)*	1I-2J-3H-4J-5I
NFPA cutting class (NFPA 1936)	A7-B8-C6-D8-E8



\* According to EN 13204. Images are non-binding. We reserve the right to technical modifications.  
60005271 (-, -, ALL, 13.02.2020)

WEBER-HYDRAULIK GMBH  
Heilbronner Straße 30  
74363 Güglingen/Deutschland  
Fon +49 7135/71-10270  
Fax +49 7135/71-10396  
info@weber-rescue.com

Emil Weber Platz 1  
4460 Losenstein/Österreich  
Fon +43 7255/6237-120  
Fax +43 7255/6237-12461  
info@weber-rescue.com

**WEBER RESCUE**  
SYSTEMS  
www.weber-rescue.com