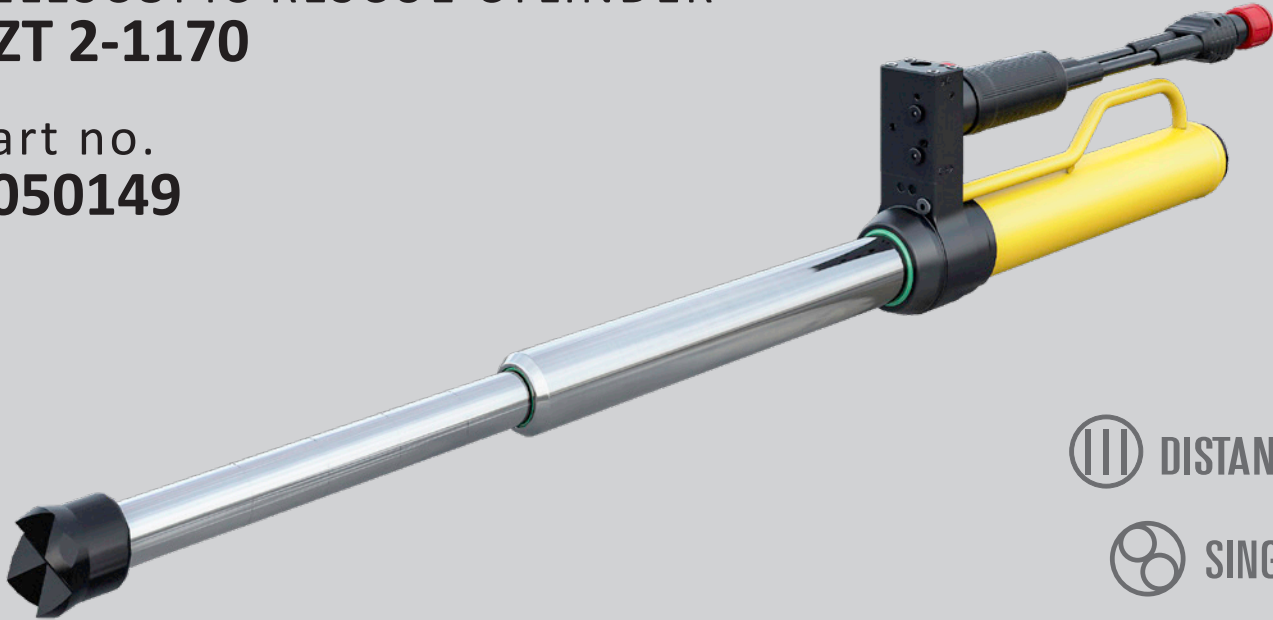


TELESCOPIC RESCUE CYLINDER RZT 2-1170

Part no.
1050149



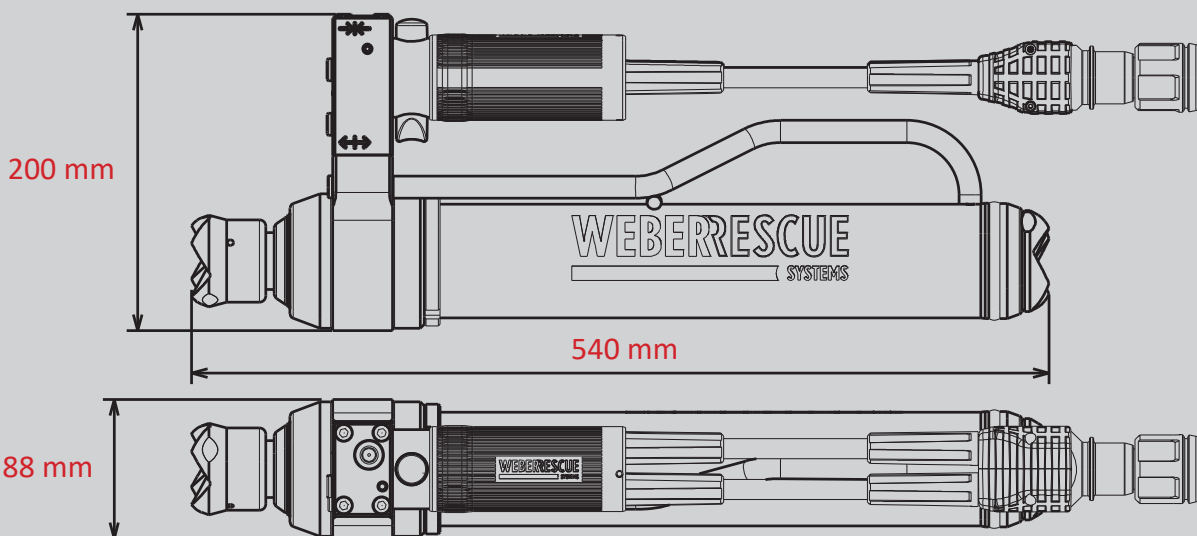
 DISTANCE

 SINGLE

 PUSH-CONTROL

Technical specifications:

Closed length (retracted)	540 mm
Final length (extended)	1170 mm
Stroke stage 1 / stroke stage 2	360 mm / 270 mm
Force stage 1 / force stage 2	189,4 kN / 99,0 kN
Weight (ready for use)	15,0 kg
Required oil volume	1,1 l
Dimensions (LxWxH)	540 x 200 x 88 mm
Nominal pressure	700 bar
EN classification (EN 13204)	TR189/360-99/270-15,0



Images are non-binding. We reserve the right to technical modifications.
60005134 (-, -, ALL, 04.07.2019)