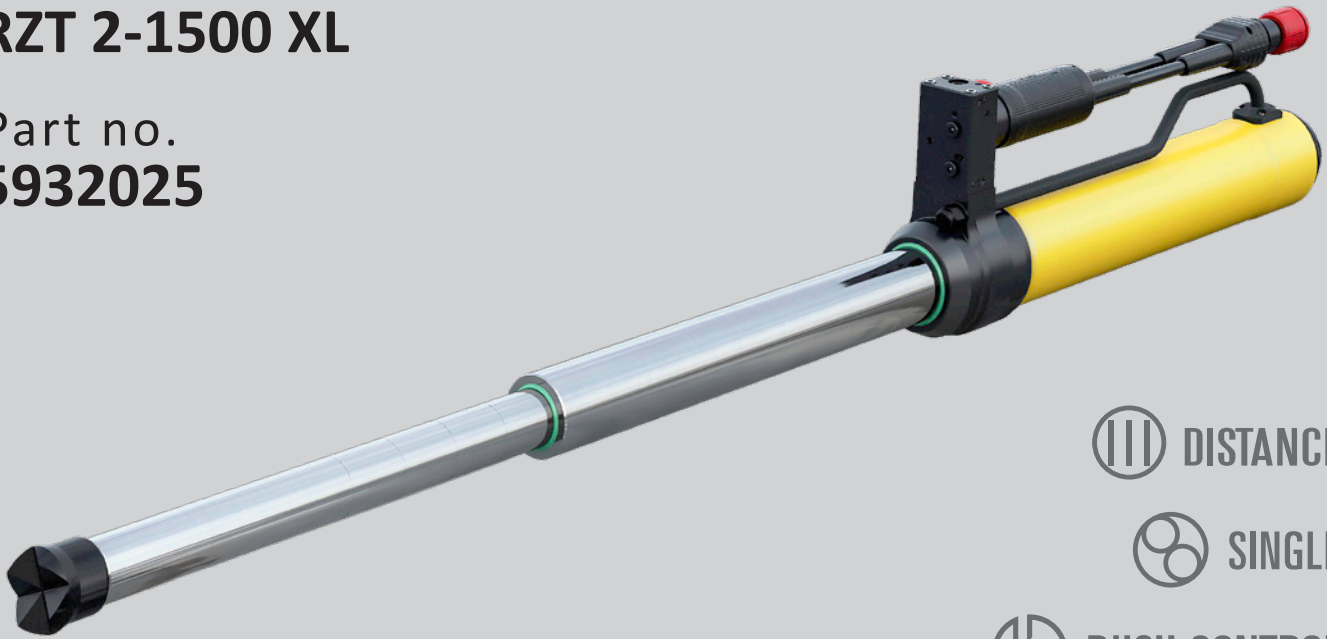


TELESCOPIC RESCUE CYLINDER RZT 2-1500 XL

Part no.
5932025



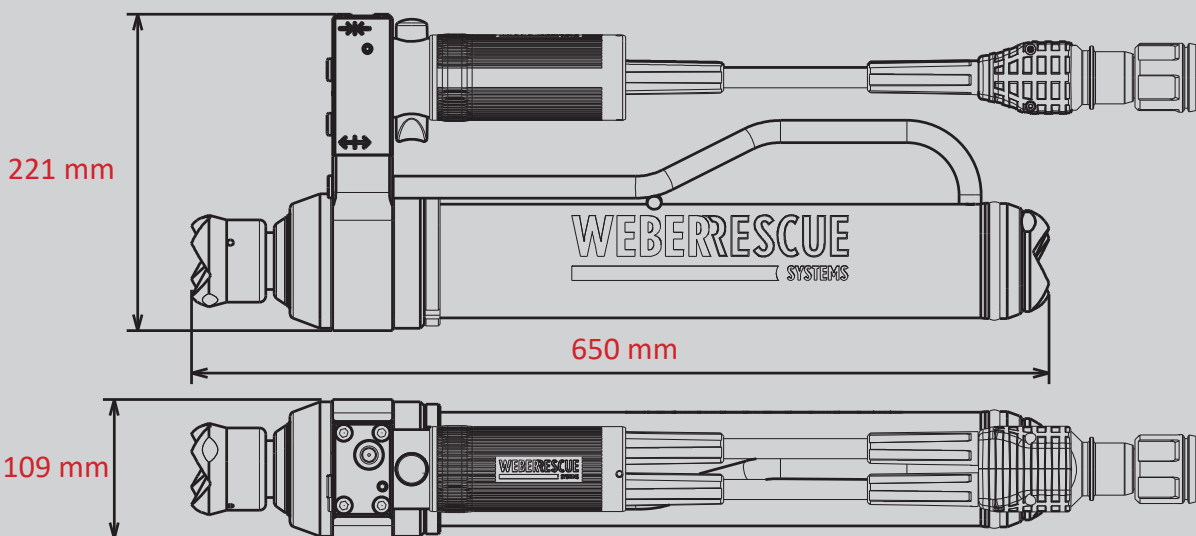
 DISTANCE

 SINGLE

 PUSH-CONTROL

Technical specifications:

Closed length (retracted)	650 mm
Final length (extended)	1502 mm
Stroke stage 1 / stroke stage 2	445 mm / 407 mm
Force stage 1 / force stage 2	269,4 kN / 129,5 kN
Weight (ready for use)	20,7 kg
Required oil volume	2,1 l
Dimensions (LxWxH)	650 x 221 x 109 mm
Nominal pressure	700 bar
EN classification (EN 13204)	TR269/445-130/407-20,7



Images are non-binding. We reserve the right to technical modifications.
60005136 (-, -, ALL, 04.07.2019)