

BATTERY COMBI TOOL SPS 400 MK2 E-FORCE3

E FORCE 3

Part no.
1092611



CHARGE



FORGED



360° HANDLE



SPEED CONTROL



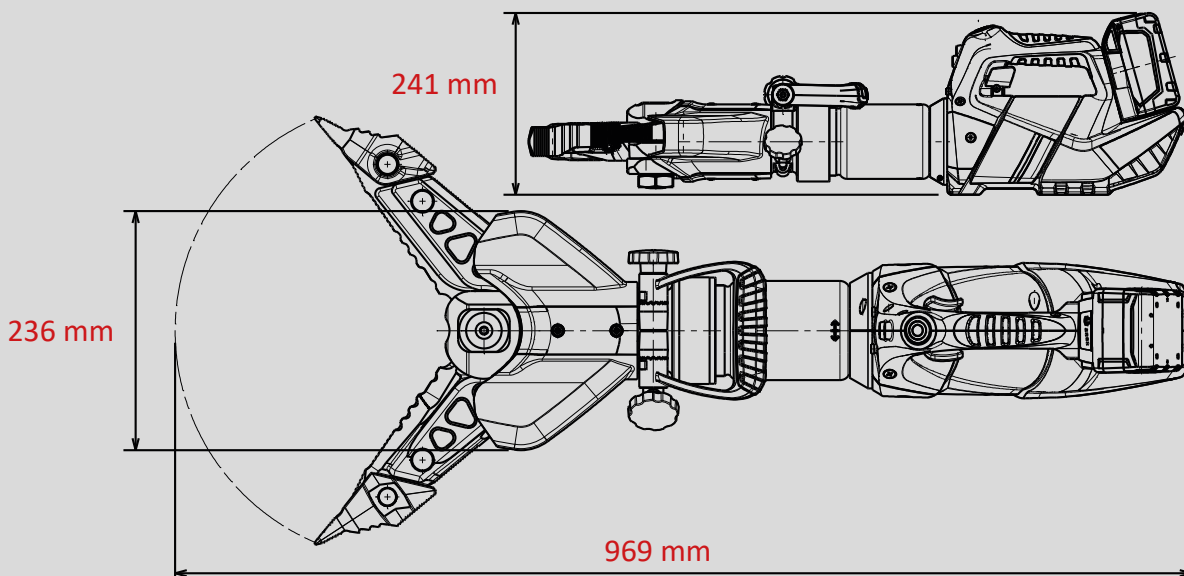
ULTIMATE



X-CHANGE

Technical data:

| | |
|---------------------------------------|--------------------|
| Spreading width | 405 mm |
| Spreading force (in the working area) | 35 - 1071 kN |
| Opening width | 343 mm |
| Pulling width (with adapters) | 450 mm |
| Max. pulling force | 58,0 kN |
| Weight (incl. battery) | 21,0 kg |
| Dimensions (LxWxH) | 969 x 236 x 241 mm |
| Nominal pressure | 700 bar |
| EN classification (EN 13204)* | CK35/405I-21,0 |
| EN cutting class (EN 13204)* | 1I-2K-3J-4K-5J |
| NFPA cutting class (NFPA 1936) | A7-B9-C7-D9-E9-F6 |



* According to EN 13204. Images are non-binding. We reserve the right to technical modifications.
60004735 (03.08.2021)

WEBER-HYDRAULIK GMBH
Heilbronner Straße 30
74363 Güglingen/Deutschland
Fon +49 7135/71-10270
Fax +49 7135/71-10396
info@weber-rescue.com

Emil Weber Platz 1
4460 Losenstein/Österreich
Fon +43 7255/6237-120
Fax +43 7255/6237-12461
info@weber-rescue.com

WEBER RESCUE
SYSTEMS
www.weber-rescue.com