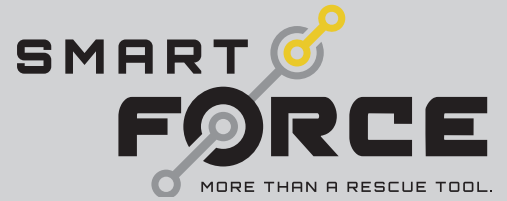


Cutter RSC F7 SMART-FORCE

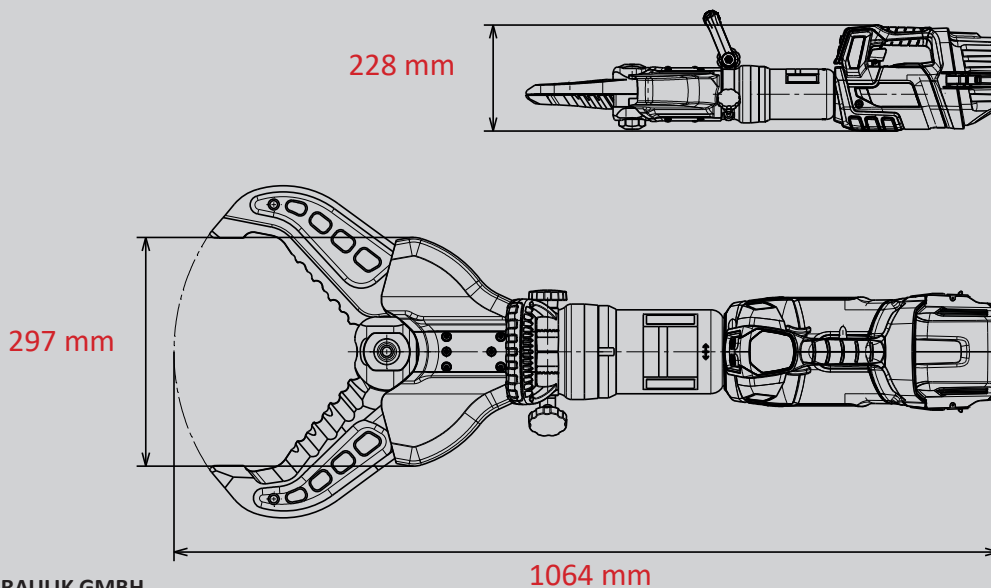
Part no.
1101553



-  **18V BATTERY**
-  **POW3R PUMP**
-  **FORGED**
-  **360° HANDLE**
-  **PLUS**
-  **LED LIGHTS**
-  **UNDERWATER**

Technical data:

Opening width	300 mm
Weight (ready to use)	27,7 kg
Dimensions (LxWxH)	1064 x 297 x 228 mm
Nominal pressure	700 bar
EN cutting class (EN 13204)	CC222K-27,7
EN cutting performance (EN 13204)	1K-2K-3K-4K-5K
NFPA cutting class (NFPA 1936)	A9-B9-C9-D9-E9-F7



WEBER-HYDRAULIK GMBH
Heilbronner Straße 30
74363 Güglingen, Germany
Phone +49 7135 71-10270
info@weber-rescue.com

Emil Weber Platz 1
4460 Losenstein, Austria
Phone +43 7255 6237-120

Images are non-binding. We reserve the right to technical modifications.
2022A, 05/2022