

Spreader SP 50 BS SMART-FORCE

Part no.
1100143

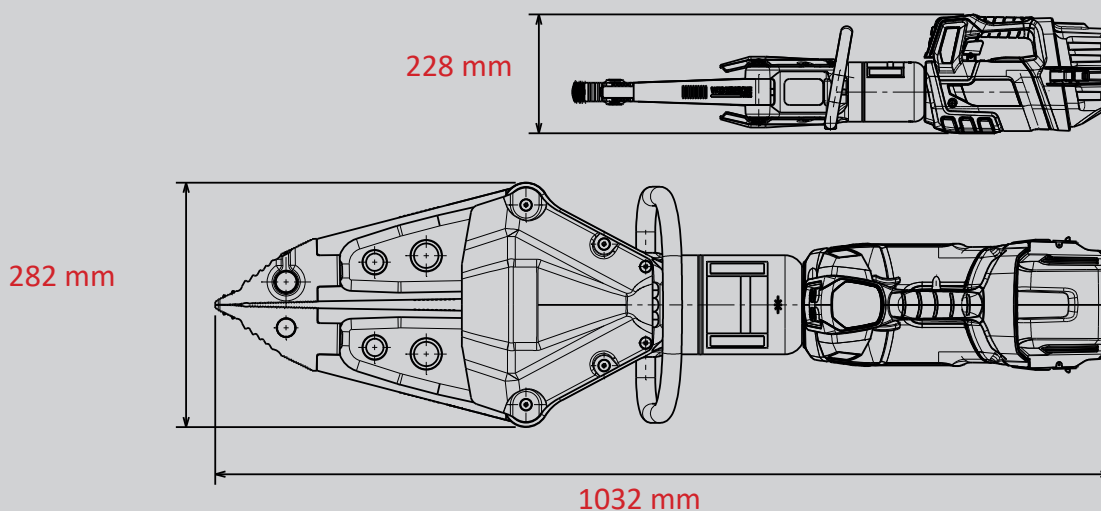


**SMART
FORCE**
MORE THAN A RESCUE TOOL.

-  **18V BATTERY**
-  **POW3R PUMP**
-  **CONNECT**
-  **GRIP**
-  **HANDLE**
-  **PEELING**
-  **LED LIGHTS**

Technical data:

Spreading width	805 mm
Spreading force (in the working area)	50 - 501 kN
Max. squeezing force	144,0 kN
Pulling width	680 mm
Max. pulling force	67 kN
Weight (ready to use)	21,8 kg
Dimensions (LxWxH)	1032 x 282 x 228 mm
Nominal pressure	700 kN
EN classification (EN 13204)	BS50/805-21,8



WEBER-HYDRAULIK GMBH

Heilbronner Straße 30
74363 Güglingen, Germany
Phone +49 7135 71-10270
info@weber-rescue.com

Emil Weber Platz 1
4460 Losenstein, Austria
Phone +43 7255 6237-120

Images are non-binding. We reserve the right to technical modifications.
2022A, 05/2022